

# Colt 1911

Semiautomatic pistol

Cal. .22 L.R.



GB

DE

FR

ES

IT



**! WARNING:** READ THE INSTRUCTIONS AND WARNINGS IN THIS MANUAL CAREFULLY BEFORE USING THIS FIREARM.

MADE BY CARL WALTHER

OPERATING INSTRUCTIONS

## Important instructions for the use of firearms

It should be remembered that even the safest gun is potentially dangerous to you and others when it is not properly handled.

First of all read and understand the operating instructions and learn how the weapon works and is to be handled. Always treat an unloaded weapon as if it were loaded.

**⚠ WARNING:** Always bear in mind:

Keep your finger away from the trigger unless you really intend to fire. Always keep your weapon pointing in a safe direction so that you and others cannot be endangered.

Do not use force when disassembling or assembling your weapon. A gun can only be safe as long as it is in a flawless technical condition. Incorrect handling and lack of maintenance may lead to malfunctions and reduced safety of the weapon. Always be aware of possible risks from dropping your pistol or from corrosion or other external influences. In such cases, have your weapon inspected by a competent gunsmith before using it again. Unauthorized modifications to the mechanism, damage caused by the application of force and modifications effected by third parties will release the manufacturer from any warranty claims. Only an authorized and qualified gunsmith is allowed to work on a gun. Always wear ear protectors and if necessary safety glasses, even in practice shooting. Remind any persons stationed behind you that they should wear ear protectors.

No.	Contents	Page
	Identification	1
1	Safety Operating Instructions	3 - 4
2	Inspection	5 - 6
3	Loading the Pistol	6 - 7
4	Firing	8
5	Pistol with Empty Magazine	9
6	Unloading	10
7	Clearing Misfires	10
8	Setting of the Sight	11
9	Gold Cup	11
10	Field Stripping	12
11	Cleaning	13
12	Storage	14
13	Repair	14
14	Warranty	15 - 16
15	Technical Data	16
16	Variants	17
17	Exploded View	18
17	Parts	20
	Contact	back

**! WARNING:** ALWAYS LEAVE THE MANUAL SAFETY ENGAGED (ON "SAFE") UNTIL YOU INTEND TO FIRE.

## 1.1 Manual Safety

SAFE POSITION - turn the safety lever up (fig. 1).

FIRE POSITION - turn the safety lever down (fig. 2).

The safety lever can only be turned on to SAFE when the hammer is in the cocked position. The manual safety blocks the trigger, hammer and the slide.

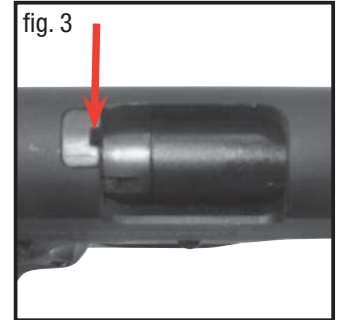
## 1.2 Grip safety

The grip safety blocks the trigger. Only if you push the grip safety into the receiver with your shooting hand, are you able to move the trigger and FIRE a shot.



### 1.3 Loaded chamber indicator

A small slot in the upper part of the slide allows inspection of the chamber to see if a cartridge has been loaded (fig 3).



**! WARNING:** ALL SAFETY DEVICES OF THE WEAPON ARE MECHANICAL SAFETIES, AND THE SHOOTER IS THE ONLY ONE WHO CAN ENGAGE AND DISENGAGE THESE SAFETIES. NEVER RELY SOLELY ON MECHANICAL SAFETIES - ALWAYS BE EXTREMELY CAREFUL AND AVOID SITUATIONS WHICH COULD LEAD TO AN ACCIDENT.

**! WARNING:** NEVER RELY SOLELY ON MECHANICAL FEATURES ALONE - ALWAYS BE EXTREMELY CAREFUL, USE SAFE GUN HANDLING PRACTICES, AND AVOID SITUATIONS WHICH COULD LEAD TO AN ACCIDENT.

**! WARNING:** ALWAYS INSPECT THE CHAMBER OF YOUR FIREARM AFTER THE MAGAZINE HAS BEEN REMOVED FROM THE GUN. MAKE SURE THAT NO CARTRIDGE IS LEFT IN THE CHAMBER.

## 2 Inspection

**! WARNING:** BEFORE LOADING, MAKE SURE THAT THE FIREARM IS POINTED IN A SAFE DIRECTION, IS ON SAFE, AND IS UNLOADED (MAGAZINE REMOVED, CHAMBER CLEARED, EMPTY CHAMBER FLAG (BLUE) IS INSTALLED, AND BARREL CLEAR OF ANY OBSTRUCTIONS).

**! WARNING:** NEVER PUT YOUR HAND IN FRONT OF THE MUZZLE.

### Functional inspection

1. Check to make sure the chamber and magazine are empty. Remove the magazine, retract the slide.  
After the slide has been released, the recoil spring will return the slide fully forward into battery.
2. Insert the empty magazine, retract the slide. The slide should be locked back in its rearmost position by the slide stop lever.
3. Remove the magazine, pull the slide back slightly and release the slide. After the slide has been released, the recoil spring should return the slide fully forward into battery.
4. Pick up the firearm with your shooting hand and point the muzzle in a safe direction, but do not push the grip safety into the receiver with your hand. Try to pull the trigger, it must be locked.
5. To decock the pistol, (check to make sure the chamber is empty), push the grip safety into the receiver with your shooting hand, hold the hammer with the thumb of your other hand, pull the trigger and let the hammer slowly travel forward (fig. 4).

**! WARNING:** KEEP THE FIREARM POINTED IN A SAFE DIRECTION WHEN DECOCKING.  
FAILURE TO DO THIS CAN RESULT IN SERIOUS INJURY OR DEATH.

fig. 4



## 2.1 Inspection after use

**! WARNING:** AFTER USE, MAKE SURE THAT THE PISTOL IS UNLOADED (CHAMBER AND BARREL MUST BE CLEAR) AND THAT THE MAGAZINE IS EMPTY. POINT MUZZLE IN A SAFE DIRECTION AND DECOCK THE HAMMER. INSTALL THE EMPTY CHAMBER FLAG (BLUE).

## 3 Loading the Pistol

**! WARNING:** BEFORE LOADING, MAKE SURE THAT THE PISTOL IS ALWAYS POINTED IN A SAFE DIRECTION, AND IS UNLOADED (MAGAZINE REMOVED, CHAMBER CLEARED, EMPTY CHAMBER FLAG (BLUE) IS INSTALLED, AND BARREL CLEAR OF ANY OBSTRUCTIONS).

Press magazine catch and remove empty magazine (fig. 5).

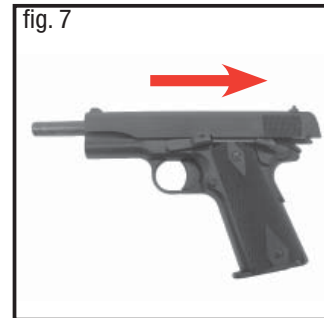
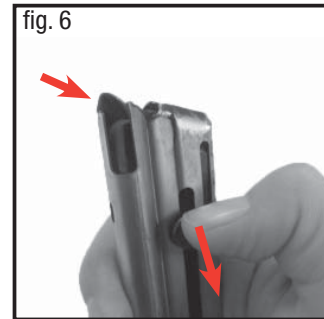
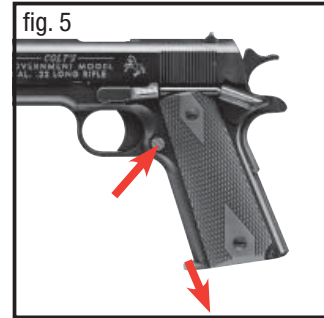
Use the side-mounted button to push the follower down and insert the cartridge under the magazine lips (fig. 6). Do not use excessive force. Remove empty chamber flag (blue). Insert the loaded magazine until the magazine catch locks it in position. After inserting a magazine, always test to make sure it is locked in place by giving it a firm tap on the bottom of the magazine.

### 3.1 Loading the chamber with the first cartridge

Pick up the firearm with your shooting hand and point the muzzle in a safe direction. Use your other hand to retract and release the slide (fig 7). Never put your hand in front of the muzzle. As the slide travels forward it inserts the first round into the chamber. The hammer is now cocked. Rotate the safety in the SAFE position until you are ready to fire.

**! WARNING:** NEVER PUT YOUR HAND IN FRONT OF THE MUZZLE.

**! WARNING:** ALWAYS LOAD A ROUND INTO THE CHAMBER BY FEEDING IT FROM THE MAGAZINE. FAILURE TO FOLLOW THIS WARNING CAN RESULT IN SEVERE INJURY OR DEATH TO YOU OR OTHERS. NEVER ATTEMPT TO LOAD THE FIREARM BY INSERTING A ROUND INTO THE OPEN EJECTION PORT.



**! WARNING:** THE COLT 1911 CAL. .22 L.R. IS DESIGNED SO IT IS ABLE TO FIRE WHEN THE MAGAZINE IS REMOVED. THEREFORE, IF THE MAGAZINE IS REMOVED FROM THE FIREARM AND THERE IS A LOADED ROUND IN THE CHAMBER, IT WILL FIRE IF THE TRIGGER IS PULLED.

#### 4 Firing

The Colt 1911 is Single Action only.

- Keep muzzle pointed in a safe direction and your finger outside the trigger guard, place the manual safety in the fire position (fig 8), push the grip safety into the receiver. The pistol is ready to fire.
- When the trigger is pulled, the hammer is released to strike the firing pin. When the pistol is fired, the slide moves rearward, thereby extracting and ejecting the spent cartridge case and rotating the hammer to the fully cocked position.
- The slide returns forward, feeding the next cartridge from the magazine to the barrel chamber. The hammer remains in the cocked position so that subsequent shots will be fired in the single action mode. This sequence can be repeated until the last round has been fired at which time the magazine follower exerts upward pressure on the slide stop causing it to engage the slide and hold it in the open position.



**! WARNING:** YOUR FIREARM IS NOW READY TO FIRE. KEEP YOUR FINGER OFF THE TRIGGER AND OUT OF THE TRIGGER GUARD UNTIL YOU ARE READY TO FIRE.



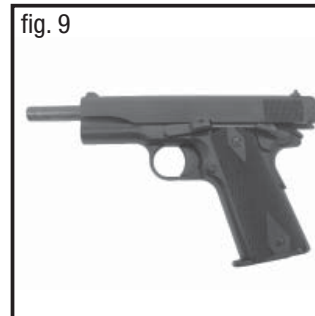
## 5 Pistol with Empty Magazine

After the last round has been fired, the slide stop holds the slide in the open position (fig. 9).

Continue shooting - Replace the empty magazine with a full one. Pull slide rearward and release. The slide will travel forward and load the chamber with the first round. Keep your firearm in your shooting hand, finger off the trigger and the firearm pointed in a safe direction so that there is no danger to other persons.

Discontinue shooting - Remove magazine and inspect the chamber to verify it does not contain any ammunition (fig. 20). Close the slide and rotate the safety lever to safe position.

fig. 9



## 6 Unloading

Point the muzzle in a safe direction. Remove the magazine. Ensure that the chamber is empty by pulling back the slide to visually inspect the chamber (fig. 20). Place empty chamber flag (blue) into the empty chamber (fig. 21). Keep firearm pointed in a safe direction.

Push the grip safety into the receiver with your shooting hand, hold the hammer with the thumb of your other hand, pull the trigger and let the hammer slowly travel forward.

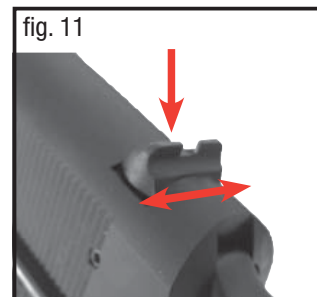
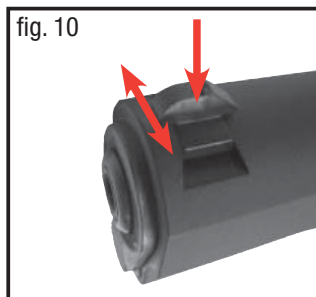
**! WARNING:** KEEP THE FIREARM POINTED IN A SAFE DIRECTION WHEN DECOCKING. FAILURE TO DO THIS CAN RESULT IN SERIOUS INJURY OR DEATH.

## 7 Clearing Misfires

- If a cartridge fails to fire, wait 30 seconds while keeping the muzzle pointed in a safe direction.
- Remove the magazine.
- Keep your finger off the trigger and out of the trigger guard.
- Grasp the slide and briskly pull it fully rearward to eject the misfired round. Check the barrel chamber and bore for any obstructions by passing a cleaning rod from muzzle to ejection port. Never look down the barrel from the muzzle end.
- You must be certain there are no cartridges in the chamber or obstructions in the barrel. Remember that any time you release the slide while a magazine containing cartridges is in the firearm, you will have reloaded the firearm and it will be capable of firing.

## 8 Setting of the Sight

The **windage** can be adjusted at both the front and rear sights. To do so, loosen the set screw at each of these places and move the front/rear sight to the right or left (fig. 10 - 11).



## 9 Gold Cup

The **elevation** is adjusted using a screw on the top, on the rear sight.

Turning the screw allows it to be adjusted in height with engagement steps (fig. 12):

If the pistol shoots too high:

turn the screw clockwise

If the pistol shoots too low:

turn the screw counter-clockwise



The **windage** is adjusted using a screw on the side of the rear sight. Turning the screw allows it to be adjusted in position with engagement steps (fig. 13):

If the pistol shoots to the right:

turn the screw counter-clockwise

If the pistol shoots to the left:

turn the screw clockwise



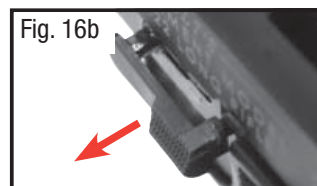
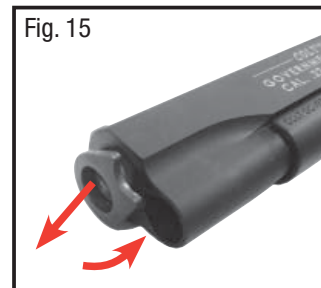
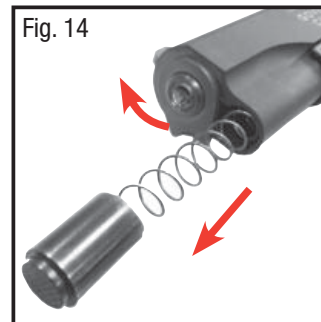
## 10 Field Stripping

**! WARNING:** ALWAYS FOLLOW THE DISASSEMBLY INSTRUCTIONS EXACTLY. NEVER DO ANYTHING BEYOND WHAT YOU ARE SPECIFICALLY INSTRUCTED TO DO IN THIS MANUAL. NEVER ALTER OR MODIFY THE PARTS IN YOUR FIREARM.

**! WARNING:** ALWAYS WEAR EYE PROTECTION THAT IS SPECIFIED FOR USE WITH FIREARMS EVERY TIME YOU HANDLE YOUR FIREARM FOR CLEANING AND MAINTENANCE.

**! WARNING:** PRIOR TO DISASSEMBLY, TAKE OUT THE MAGAZINE AND CHECK THAT THE PISTOL IS NOT LOADED.

To remove the slide, push in the recoil spring plug and turn the barrel bushing clockwise to the side. The freed recoil spring plug and the recoil spring will now come out (fig. 14). Turn the barrel bushing by about 120° counter - clockwise and slide it out forwards (fig. 15). Pull back the slide until the slide stop lever and slot are next to each other (Fig. 16). Push out the pin from the right using a pointed tool (Fig. 16a). Then pull out the slide stop lever sideways (Fig. 16b). Make sure that the slide stop lever comes out straight. The slide can now be retracted, lifted, and removed towards the front (fig 17). To assemble, reverse the steps.



## 11 Cleaning

In order to keep the firearm functional and to extend its service life, the firearm should be cleaned and maintained at regular intervals.

**! WARNING:** BEFORE CLEANING, MAKE SURE THAT THE PISTOL IS POINTED IN A SAFE DIRECTION, IS ON SAFE , AND IS UNLOADED (MAGAZINE REMOVED, CHAMBER CLEARED, EMPTY CHAMBER FLAG (BLUE) IS INSTALLED, AND BARREL CLEAR OF ANY OBSTRUCTIONS).

- Verify that the grip safety isn't pushed into the receiver
- Insert EMPTY magazine and retract slide so it remains in open position.
- Remove magazine.
- Visually inspect to verify that no ammo remains anywhere in the pistol.
- Remove slide as described in chapter 11 (Field stripping).
- Remove fouling from breech, magazine lips, follower and receiver with a brush and a cloth (fig. 18 - 19).
- Clean the barrel with an appropriate gun cleaning solvent and then dry it with cleaning patches; always begin at the chamber. Repeat until barrel is clean.
- Apply a thin coat of oil to all metal parts. Reassemble pistol and check for proper function.

fig. 18

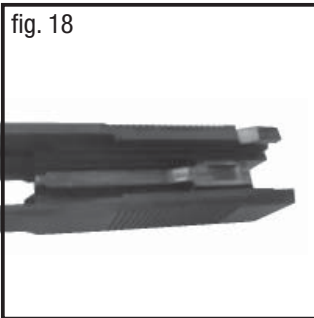
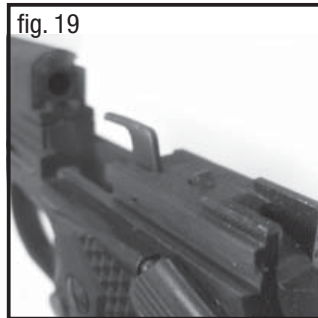


fig. 19



## 12 Storage

Always keep and store your firearm in an unloaded condition. Keep the firearm and ammunition away from children and unauthorized persons. Firearms should be stored separately from ammunition.

Always store your firearm with the empty chamber flag (blue) in the chamber to make sure no cartridge is loaded (fig. 21).

fig. 20

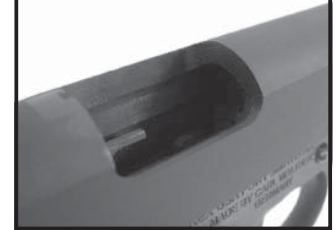


fig. 21



**⚠ WARNING:** NEVER LEAVE A LOADED FIREARM UNATTENDED!

## 13 Repair

If any products are defective or damaged, please contact your dealer or the WALTHER service department.

**⚠ WARNING:** ONLY AN AUTHORIZED AND QUALIFIED GUNSMITH SHOULD INSPECT AND REPAIR YOUR FIREARM!



Carl WALTHER GmbH

### Service

Postfach 4325

D - 89033 Ulm

Im Lehrer Feld 1

D - 89081 Ulm

Tel. +49 (0)731 / 15 39 0

Fax +49 (0)731 / 15 39 109

## 14 Warranty

Within the first two years after the date of purchase, WALTHER will repair or replace your defective firearm free of charge provided the defect was not caused by your misuse or negligence.

WALTHER firearms are warranted to be free from defects in material and workmanship. Any such defects of which WALTHER receives written notice within two years from the date of purchase by the original owner, will be remedied by WALTHER without charge within a reasonable time after such notification and delivery of the firearm as provided below. Warranty claims (in writing) and the firearm concerned should be delivered to WALTHER's Warranty Service in its original case or in a similarly secure container. In addition, a copy of the bill of sale in the owner's name, or a copy of the bill of sale in the owner's name indicating the date of purchase must be included.

**⚠ WARNING:** IMPORTANT! WHEN TRANSPORTING A FIREARM, MAKE SURE THAT IT IS UNLOADED AND THAT THE SAFETY IS IN THE SAFE POSITION.

### WARRANTY CONT'D.

Warranty claims should state the model and serial number of the firearm concerned and the description of the difficulty experienced. It is recommended that shipments be insured by the owner, since WALTHER will accept no responsibility for loss or damage in transit. Transportation and insurance charges for return to owner will be paid by WALTHER if the claim is covered by the warranty.

THIS WARRANTY IS EXCLUSIVE AND IS GIVEN IN LIEU OF ANY AND ALL OTHER WARRANTIES, EXPRESS OR IMPLIED.

NO IMPLIED WARRANTIES OR MERCHANTABILITY OR FITNESS FOR A PARTICULAR PURPOSE ARE GIVEN AND ANY AND ALL LIABILITY FOR BREACH OF ANY IMPLIED WARRANTY OR WARRANTY CREATED BY LAW IS DISCLAIMED.

UNDER NO CIRCUMSTANCES SHALL WALTHER BE RESPONSIBLE FOR INCIDENTAL OR CONSEQUENTIAL DAMAGES WITH RESPECT TO ECONOMIC LOSS, INJURY, DEATH OR PROPERTY DAMAGE, WHETHER AS A RESULT OF BREACH OF THIS WARRANTY, NEGLIGENCE OR OTHERWISE.

Some states do not allow the exclusion or limitation of incidental or consequential damages, so the above limitation or exclusion may not apply to you in whole or in part.

WALTHER will not be responsible for:

- Defects or malfunctions resulting from careless handling, unauthorized adjustments or modifications made or attempted by anyone other than a qualified gunsmith following WALTHER authorized procedures, or disassembly beyond the Field Stripping instructions in this manual.
- Use of defective or improper ammunition, corrosion, neglect, abuse, ordinary wear and tear, or unreasonable use.
- Criminal misuse, negligence, resale, use under the influence of drugs or alcohol.

WALTHER reserves the right to determine what constitutes ordinary wear and tear. This warranty gives you specific legal rights. You may also have other rights that vary from state to state. Note: All liability is excluded in the event that the instructions in this manual are not observed.

## CONTACT & SHIPPING



Carl WALTHER GmbH

### Service

Postfach 4325 D - 89033 Ulm

Im Lehrer Feld 1 D - 89081 Ulm

Phone 0731 / 15 39 0 Fax 0731 / 15 39 109

## 15 Technical Data

Model	Government	Gold Cup	Rail Gun
caliber	.22 L.R.		
action	blowback		
trigger	single action		
magazine capacity	12 rounds		
dimensions (L/H/W)	8.7 / 5.5 / 1.4 inch (220 / 140 / 35 mm)	8.9 / 5.5 / 1.4 inch (225 / 140 / 35 mm)	
barrel length	5 inch (127 mm)		
weight without empty magazine	2.0 lbs (930 g)	2.1 lbs (940 g)	2.1 lbs (950 g)



## 16 Variants

### COLT GOVERNMENT®

- CNC machined high-grade aluminum slide
- Standard Safety Lever
- Service Style Grip Safety



### COLT RAIL GUN®

- CNC machined high-grade aluminum slide
- Picatinny Rail
- Slide with Front and Rear Serrations
- Open Work Hammer
- Open Work Trigger
- Extended Safety Lever
- Large BeaverTail

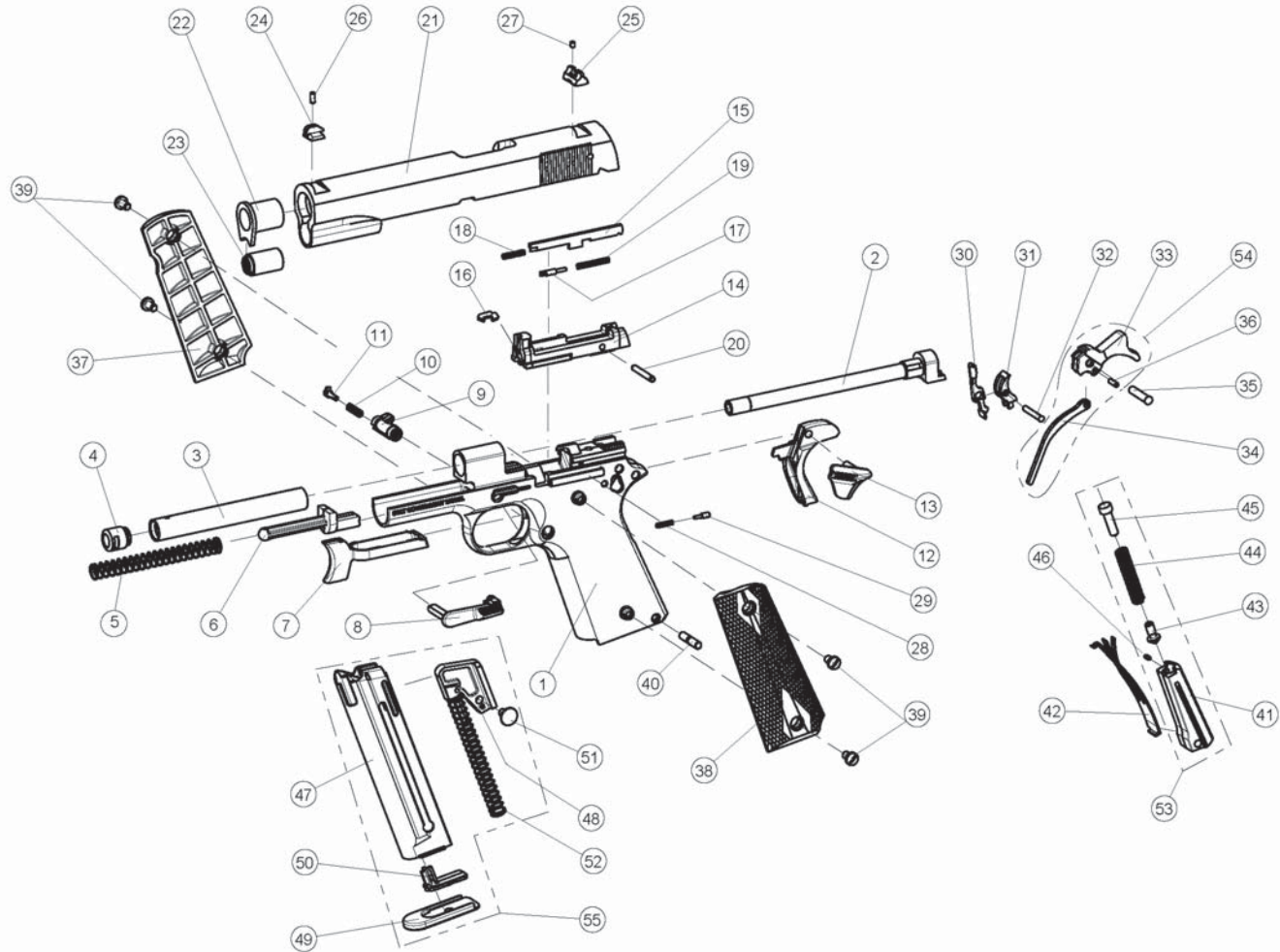


### COLT GOLD CUP®

- CNC machined high-grade aluminum slide
- Open Work Hammer
- Open Work Trigger
- Adjustable Target Sight
- Large BeaverTail



17 Exploded View / Parts  
17.1 Exploded View



## 17.2 Parts

<b>1</b>	517.200.01	Receiver	<b>19</b>	512.40.20.1	Spring	<b>34</b>	517.200.10.0	Hammer Strut
	517.201.01	Receiver, Rail Gun	<b>20</b>	512.20.26.3	Dowel Pin	<b>35</b>	517.200.28.0	Pin
	517.202.01	Receiver, Gold Cup	<b>21</b>	517.400.01.0	Slide	<b>36</b>	517.200.11.3	Pin
<b>2</b>	517.500.01	Barrel		517.401.01.0	Slide, Rail Gun	<b>37</b>	517.200.16.1	Grip Panel, Right
<b>3</b>	512.51.02.0	Barrel Sleeve		517.402.01.0	Slide, Gold Cup	<b>38</b>	517.200.15.1	Grip Panel, Left
<b>4</b>	512.50.04	Barrel nut	<b>22</b>	517.400.04.0	Barrel Bushing	<b>39</b>	517.200.30.0	Grip Panel Screw
<b>5</b>	517.400.07.1	Recoil Spring	<b>23</b>	517.400.05.0	Recoil Spring Plug	<b>40</b>	517.200.29.0	Pin
<b>6</b>	517.200.27.0	Recoil Spring Guide	<b>24</b>	517.700.01.0	Front Sight	<b>41</b>	517.200.02.0	Main Housing
<b>7</b>	517.200.07.0	Trigger		517.701.01	Front Sight, Rail Gun, assembly	<b>42</b>	517.200.17.0	Sear Spring
	517.201.07.0	Trigger, Rail Gun		517.702.01	Front Sight, Gold Cup, assembly	<b>43</b>	517.200.03.1	Pin Retainer
<b>8</b>	517.200.23	Slide Stop	<b>25</b>	517.700.02.0	Rear Sight	<b>44</b>	318.203.19.1	Main Spring
<b>9</b>	517.200.24.0	Magazine Catch		517.701.02	Rear Sight, Rail Gun, assembly	<b>45</b>	517.200.04.1	Mainspring Cap
<b>10</b>	517.200.26.1	Spring		517.702.02	Rear Sight, Gold Cup, assembly	<b>46</b>	517.200.06.3	Dowel Pin
<b>11</b>	517.200.25.0	Magazin Catch Lock	<b>26</b>	517.701.04.1	Grub Screw	<b>47</b>	517.600.01.0	Magazine Body
<b>12</b>	517.200.14.0	Grip Safety	<b>27</b>	507.700.05.1	Grub Screw	<b>48</b>	517.600.04.1	Magazine Follower
	517.201.14.0	Grip Safety, Rail Gun		517.701.05.1	Grub Screw, Rail Gun	<b>49</b>	517.600.02.1	Magazine Butt Plate
<b>13</b>	517.200.21.0	Safety Lever		517.702.03.1	Grub Screw, Gold Cup	<b>50</b>	517.600.03.1	Butt Plate Holder
	517.201.21.0	Safety Lever, Rail Gun	<b>28</b>	517.200.19.1	Spring	<b>51</b>	517.600.05.0	Magazine Button
<b>14</b>	517.400.02.0	Breech Block	<b>29</b>	517.200.18.0	Safety Lever Plunger	<b>52</b>	570.60.04.1	Magazine Spring
<b>15</b>	517.400.08.0	Firing Pin	<b>30</b>	517.200.13.0	Disconnecter	<b>53</b>	517.200.02	Main Housing, assembly
<b>16</b>	517.400.03.0	Extractor	<b>31</b>	517.200.12.0	Sear	<b>54</b>	517.200.09	Hammer, assembly
<b>17</b>	506.40.05.1	Pin for Extractor	<b>32</b>	517.200.31.0	Pin		517.201.09	Hammer, Rail Gun assembly
<b>18</b>	517.400.10.1	Spring	<b>33</b>	517.200.09.0	Hammer	<b>55</b>	517.600	Magazine 12 round capacity
				517.201.09.0	Hammer, Rail Gun			



**Colt 1911**  
Selbstladepistole  
Cal. .22 L.R.



GB  
DE  
FR  
ES  
IT



**⚠ ACHTUNG:** LESEN SIE DIE ANWEISUNGEN UND WARNUNGEN IN DIESER ANLEITUNG SORGFÄLTIG, BEVOR SIE DIESE SCHUSSWAFFE BENUTZEN.

**MADE BY CARL WALTHER**

BEDIENUNGSANLEITUNG

## Wichtige Hinweise für den Umgang mit Waffen

Gehen Sie davon aus, dass auch die sicherste Waffe durch unsachgemäßen Umgang für Sie und andere gefährlich werden kann. Machen Sie sich zunächst anhand der Bedienungsanleitung mit der Funktion und Handhabung der Waffe vertraut. Gehen Sie auch mit der ungeladenen Waffe so um, als wenn sie geladen wäre.

**! ACHTUNG:** Beachten Sie stets: Keinen Finger an den Abzug, außer zur gewollten Schussabgabe. Halten Sie die Waffe immer so, dass Sie und Unbeteiligte nicht gefährdet sind.

Wenden Sie bei der Bedienung, beim Zerlegen und beim Zusammenbau nie Gewalt an. Sicherheit ist nur gewährleistet, solange sich die Waffe in einem Einwandfreiem Zustand befindet. Unsachgemäße Handhabung und mangelnde Pflege können die Funktion und Sicherheit der Waffe beeinträchtigen. Beachten Sie, dass die Waffe bei Einwirkung von außen, z.B. Korrosion, Herunterfallen usw., von einer fachkundigen Person überprüft werden muss. Unsachgemäße Eingriffe in den Mechanismus, durch Gewalt hervorgerufene Beschädigungen und Veränderung durch Dritte entbinden den Hersteller von jeglichen Gewährleistungs- und Garantieansprüchen. Arbeiten an der Waffe dürfen nur von autorisierten Fachleuten vorgenommen werden. Vergessen Sie selbst beim Übungsschießen nie den Gehörschutz und gegebenenfalls die Schutzbrille. Machen Sie Personen, die sich ausschließlich im rückwärtigen Bereich aufzuhalten haben, auf das Tragen eines Gehörschutzes aufmerksam.

Nr.	INHALT	Seite
	Bedienelemente	21
1	Sicherung	23 - 24
2	Funktionsprüfung	25 - 26
3	Laden der Pistole	26 - 27
4	Zuführen der ersten Patrone	27
5	Schießen	28
6	Pistole mit leerem Magazin	29
7	Entladen	30
8	Beheben von Zündversagern	30
9	Einstellen des Visiers / Gold Cup	31
10	Zerlegen	32
11	Reinigung	33
12	Lagerung	34
13	Reparatur	34
14	Garantie	35 - 36
15	Technische Daten	36
16	Varianten	37
17	Explosionsdarstellung	38
17	Stückliste	39
	Kontakt	back

**! ACHTUNG:** LASSEN SIE DIE MANUELLE SICHERUNG STETS IN DER GESICHERT-POSITION („SAFE“) STEHEN, BIS GESCHOSSEN WERDEN SOLL.

## 1.1 Manuelle Sicherung

GESICHERT - schwenken Sie den Sicherungshebel nach oben (FIG. 1).

FEUERBEREIT - schwenken Sie den Sicherungshebel nach unten (FIG. 2).

Der Sicherungshebel kann nur dann auf „GESICHERT“ gestellt werden, wenn der Hahn gespannt ist. Die manuelle Sicherung sperrt den Abzug, den Hahn und den Verschluss.

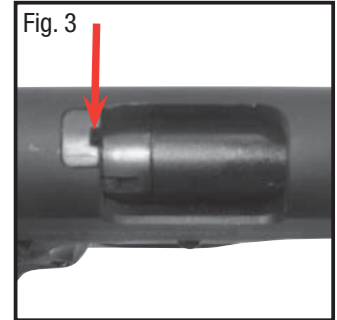
## 1.2 Griffsicherung

Die Griffsicherung sperrt den Abzug. Erst wenn Sie die Griffsicherung mit Ihrer Schießhand in das Griffstück drücken, können Sie den Abzug betätigen und einen Schuss abgeben.



### 1.3 Ladeanzeige

Die Aussparung im oberen Teil des Verschlusses ermöglicht eine visuelle Prüfung, um festzustellen, ob sich eine Patrone im Patronenlager befindet (Fig. 3).



**⚠️ ACHTUNG:** ALLE SICHERUNGEN DIESER WAFFE SIND MECHANISCHE SICHERUNGEN. SIE KÖNNEN NUR VOM SCHÜTZEN SELBST EINGESCHALTET UND AUSGESCHALTET WERDEN. VERLASSEN SIE SICH NIEMALS ALLEIN AUF MECHANISCHE SICHERUNGEN – SEIEN SIE STETS ÄUSSERST VORSICHTIG UND VERMEIDEN SIE SITUATIONEN, DIE ZU EINEM UNFALL FÜHREN KÖNNTEN.

**⚠️ ACHTUNG:** VERLASSEN SIE SICH NIEMALS ALLEIN AUF MECHANISCHE SICHERUNGEN UND ANZEIGEN – SEIEN SIE STETS ÄUSSERST VORSICHTIG. PFLEGEN SIE EINEN SICHEREN UMGANG MIT WAFFEN UND VERMEIDEN SIE SITUATIONEN, DIE ZU EINEM UNFALL FÜHREN KÖNNTEN.

**⚠️ ACHTUNG:** KONTROLLIEREN SIE IMMER DAS PATRONENLAGER IHRER SCHUSSWAFFE, NACHDEM SIE DAS MAGAZIN ENTNOMMEN HABEN. STELLEN SIE SICHER, DASS SICH KEINE PATRONE IM PATRONENLAGER BEFINDET.



## 2 Funktionsprüfung

**⚠️ ACHTUNG:** BEVOR SIE DIE WAFFE LADEN, STELLEN SIE SICHER, DASS SIE IN EINE SICHERE RICHTUNG ZEIGT, GESICHERT UND ENTLADEN IST (MAGAZIN ENTFERNT, PATRONENLAGER LEER, SICHERHEITSPATRONE (BLAUES FÄHNCHEN) EINGESETZT, LAUF FREI).

**⚠️ ACHTUNG:** HALTEN SIE NIEMALS IHRE HAND VOR DIE MÜNDUNG.

### Funktionsprüfung

1. Stellen Sie sicher, dass das Patronenlager und das Magazin leer sind. Entfernen Sie das Magazin und ziehen Sie den Verschluss zurück. Lassen Sie den Verschluss los, damit er wieder komplett nach vorn in die geschlossene Position fahren kann.
2. Führen Sie das leere Magazin ein und ziehen Sie den Verschluss zurück. Der Verschluss wird durch den Verschlussfanghebel in seiner hintersten Stellung gefangen.
3. Entfernen Sie das Magazin, ziehen Sie den Verschluss etwas zurück und lassen Sie ihn los. Nachdem der Verschluss gelöst ist, fährt er wieder komplett nach vorn in die geschlossene Position.
4. Nehmen Sie die Schusswaffe mit Ihrer Schießhand auf und richten Sie die Mündung in eine sichere Richtung, jedoch ohne die Griffsicherung in das Griffstück zu drücken. Versuchen Sie, den Abzug zu betätigen; er muss blockiert sein.
5. Um die Waffe zu entspannen, stellen Sie sicher, dass das Patronenlager leer ist, drücken Sie die Griffsicherung mit Ihrer Schießhand in das Griffstück, halten Sie den Hahn mit dem Daumen Ihrer anderen Hand fest, betätigen Sie den Abzug und lassen Sie den Hahn langsam nach vorn gleiten (Fig. 4).

**⚠️ ACHTUNG:** HALTEN SIE DIE WAFFE BEIM ENTSPANNEN IN EINE SICHERE RICHTUNG. DIE NICHTBEACHTUNG DIESER WARNUNG KANN ZU SCHWEREN VERLETZUNGEN ODER ZUM TODE FÜHREN.

Fig. 4



## 2.1 Funktionsprüfung nach Gebrauch

**! ACHTUNG:** NACH DEM GEBRAUCH STELLEN SIE SICHER, DASS DIE WAFFE ENTLADEN (PATRONENLAGER LEER, LAUF FREI) UND DAS MAGAZIN LEER IST. HALTEN SIE DIE MÜNDUNG IN EINE SICHERE RICHTUNG UND ENTSPANNEN SIE DEN HAHN. SETZEN SIE DIE SICHERHEITSPATRONE (BLAUES FÄHNCHEN) EIN.

## 3 Laden der Pistole

**! ACHTUNG:** BEVOR SIE DIE WAFFE LADEN, STELLEN SIE STETS SICHER, DASS SIE IN EINE SICHERE RICHTUNG ZEIGT UND ENTLADEN IST (MAGAZIN ENTFERNT, PATRONENLAGER LEER, SICHERHEITSPATRONE (BLAUES FÄHNCHEN) EINGESETZT, LAUF FREI VON HINDERNISSEN).

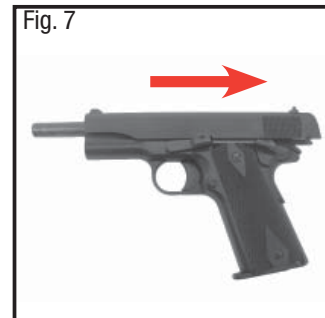
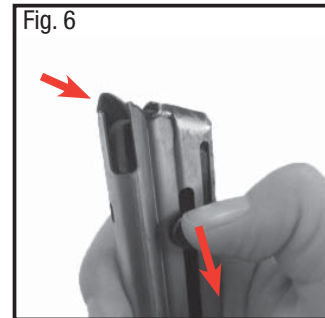
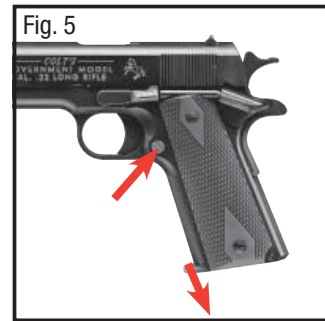
Drücken Sie den Magazinhalter und entfernen Sie das leere Magazin (Fig. 5). Verwenden Sie den seitlichen Knopf, um den Zubringer nach unten zu bewegen, und führen Sie die Patrone unterhalb der Magazinlippen zu (Fig. 6). Wenden Sie keine übermäßige Kraft an. Entfernen Sie die Sicherheitspatrone (blaues Fähnchen). Führen Sie das geladene Magazin ein, bis der Magazinhalter einrastet. Testen Sie nach dem Einführen des Magazins immer, ob es sicher eingerastet ist. Geben Sie dazu einen kurzen Schlag auf den Magazinboden.

#### 4 Zuführen der ersten Patrone

Nehmen Sie die Waffe mit Ihrer Schießhand auf und richten Sie die Mündung in eine sichere Richtung. Mit der anderen Hand ziehen Sie den Verschluss zurück und lassen ihn nach vorn gleiten (Fig. 7). Halten Sie niemals Ihre Hand vor die Mündung. Während der Verschluss nach vorn fährt, führt er dem Patronenlager die erste Patrone zu. Der Hahn ist nun gespannt. Lassen Sie die Sicherung so lange in der GESICHERT-Position („SAFE“), bis Sie zum Schießen bereit sind.

**! ACHTUNG:** HALTEN SIE NIEMALS IHRE HAND VOR DIE MÜNDUNG.

**! ACHTUNG:** LADEN SIE EINE PATRONE, INDEM SIE DIESE ÜBER DAS MAGAZIN DEM PATRONENLAGER ZUFÜHREN. DIE NICHTBEACHTUNG DIESER WARNUNG KANN ZU ERNSTHAFTEN VERLETZUNGEN ODER ZUM TODE FÜHREN. VERSUCHEN SIE NIEMALS, DIE WAFFE ÜBER DAS GEÖFFNETE AUSWURFFENSTER ZU LADEN.



**!ACHTUNG:** MIT DER COLT 1911 KAL. .22 L.R. KANN AUCH DANN EIN SCHUSS ABGEGEBEN WERDEN, WENN KEIN MAGAZIN IN DER WAFFE IST. BEFINDET SICH NACH DEM ENTFERNEN DES MAGAZINS NOCH EINE GELADENE PATRONE IM PATRONENLAGER, KANN EIN SCHUSS ABGEGEBEN WERDEN, WENN DER ABZUG BETÄTIGT WIRD.

## 5 Schießen

Die Colt 1911 ist mit einem Single-Action-Only-Abzug ausgestattet.

- Zielen Sie in eine sichere Richtung und halten Sie Ihren Finger außerhalb des Abzugsbügels, stellen Sie die Sicherung in die FEUER-Position (Fig. 8) und drücken Sie die Griffsicherung in das Griffstück. Nun ist die Waffe schussbereit.
- Sobald der Abzug ganz nach hinten durchgezogen ist, wird der Hahn ausgelöst und schlägt auf den Schlagbolzen. Bei der Schussabgabe bewegt sich der Verschluss nach hinten, zieht dabei die leere Hülse aus; dann wird die Hülse ausgeworfen und der Hahn komplett gespannt.
- Anschließend bewegt sich der Verschluss nach vorn und führt dabei die nächste Patrone aus dem Magazin dem Patronenlager zu. Der Hahn bleibt in der gespannten Position, sodass Folgeschüsse über den Single-Action-Abzug abgegeben werden können. Dieser Vorgang kann so lange wiederholt werden, bis die letzte Patrone des Magazins verschossen ist, "wobei dann der Zubringer des Magazins den Verschlussfanghebel nach oben drückt, der Verschlussfang im Verschluss einrastet und so den Verschluss offen hält."

Fig. 8 Manuelle Sicherung in FEUER-Position



**!ACHTUNG:** IHRE SCHUSSWAFFE IST NUN FEUERBEREIT. HALTEN SIE IHREN FINGER VOM ABZUG ENTFERNT UND AUSSERHALB DES ABZUGBÜGELS, BIS SIE ZUM SCHIESSEN BEREIT SIND.

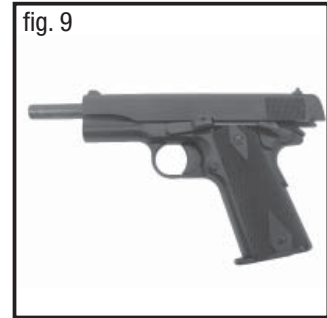
## 6 Pistole mit leerem Magazin

Nach Abgabe des letzten Schusses hält der Verschlussfang den Verschluss in geöffneter Stellung (Fig. 9).

Schießen fortsetzen - Ersetzen Sie das leere Magazin durch ein geladenes. Ziehen Sie den Verschluss zurück und lassen Sie ihn los. Der Verschluss fährt nach vorn und führt dem Patronenlager die erste Patrone zu. Halten Sie die Schusswaffe in Ihrer Schießhand. Ihr Finger befindet sich nicht am Abzug, und die Waffe weist in eine sichere Richtung, damit keine anderen Personen gefährdet werden.

Schießen einstellen - Entfernen Sie das Magazin und prüfen Sie das Patronenlager. Es muss leer sein (Fig. 20). Schließen Sie den Verschluss und drehen Sie den Sicherungshebel in die GESICHERT-Position („SAFE“).

fig. 9



## 7 Entladen

Richten Sie die Mündung in eine sichere Richtung. Entfernen Sie das Magazin. Ziehen Sie den Verschluss zurück, um durch eine Sichtkontrolle festzustellen, dass das Patronenlager leer ist (Fig. 20). Setzen Sie die Sicherheitspatrone (blaues Fähnchen) in das leere Patronenlager ein (Fig. 21). Halten Sie die Waffe in eine sichere Richtung. Drücken Sie die Griffsicherung mit Ihrer Schießhand in das Griffstück, halten Sie den Hahn mit dem Daumen Ihrer anderen Hand fest, betätigen Sie den Abzug und lassen Sie den Hahn langsam nach vorn gleiten.

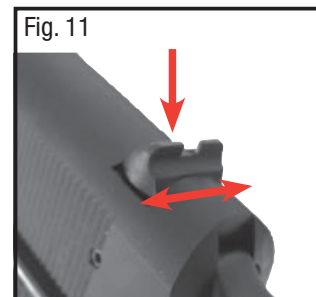
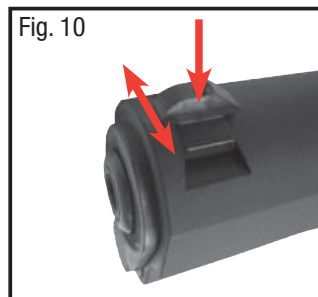
 **ACHTUNG:** HALTEN SIE DIE WAFFE BEIM ENTSPANNEN IN EINE SICHERE RICHTUNG. DIE NICHTBEACHTUNG DIESER WARNUNG KANN ZU SCHWEREN VERLETZUNGEN ODER ZUM TODE FÜHREN.

## 8 Beheben von Zündversagern

- Bei einem Zündversager warten Sie 30 Sekunden, während Sie die Mündung weiterhin in eine sichere Richtung gerichtet halten.
- Entfernen Sie das Magazin.
- Halten Sie Ihren Finger vom Abzug entfernt und außerhalb des Abzugsbügels.
- Greifen Sie den Verschluss und ziehen Sie ihn schnell bis zum Anschlag zurück; dabei wird die schadhafte Patrone ausgeworfen. Stecken Sie einen Putzstock von der Mündung bis zum Auswurffenster in den Lauf, um sicher zu stellen, dass Patronenlager und Lauf frei von Hindernissen sind. Blicken Sie niemals von der Mündung aus in den Lauf.
- Stellen Sie sicher, dass weder Patronen noch Hindernisse im Lauf sind. Beachten Sie: Immer wenn Sie den Verschluss schließen, während ein geladenes Magazin in der Schusswaffe ist, wird die Waffe geladen und ist schussbereit.

## 9 Einstellen des Visiers

Die Korrektur der Seitenlage des Treffpunkts kann über das Korn oder das Visier erfolgen. Lösen Sie den Gewindestift am zu verstellenden Bauteil und bewegen Sie dieses nach rechts oder links (Fig. 10 - 11).



### 9.1 Gold Cup

Die Höhe der Treffpunktlage lässt sich mit einer Schraube über dem Visier korrigieren. Die Schraube ermöglicht eine Höhenkorrektur mittels Klickverstellung (Fig. 12):

Pistole schießt zu hoch:	drehen Sie die Schraube im Uhrzeigersinn
Pistole schießt zu tief:	drehen Sie die Schraube gegen den Uhrzeigersinn



Die Seitenlage des Treffpunkts lässt sich mit einer Schraube seitlich am Visier korrigieren. Die Schraube ermöglicht eine Korrektur der Seitenlage mittels Klickverstellung (Fig. 13):

Pistole schießt nach rechts:	drehen Sie die Schraube gegen den Uhrzeigersinn
Pistole schießt nach links:	drehen Sie die Schraube im Uhrzeigersinn



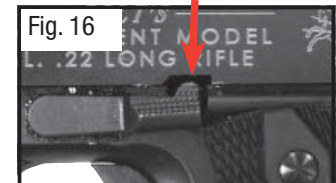
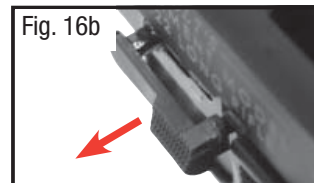
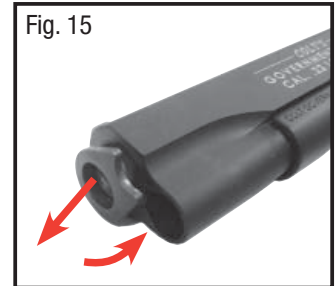
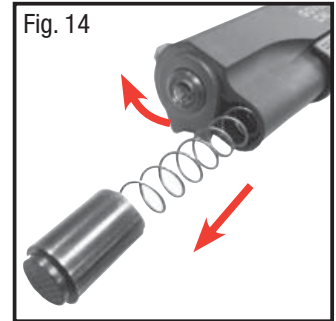
## 10 Zerlegen

**ACHTUNG:** BEFOLGEN SIE DIE ZERLEGEANWEISUNG GENAU. FÜHREN SIE KEINE TÄTIGKEITEN AUS, DIE ÜBER DIE HIER GENANNTEN ANWEISUNGEN HINAUS GEHEN. ÄNDERN ODER ÜBERARBEITEN SIE NIEMALS DIE TEILE IHRER SCHUSSWAFFE.

**ACHTUNG:** TRAGEN SIE IMMER EINEN FÜR DEN UMGANG MIT WAFFEN GEEIGNETEN AUGENSCHUTZ, AUCH BEI DER REINIGUNG UND WARTUNG IHRER WAFFE.

**ACHTUNG:** VOR DEM ZERLEGEN ENTNEHMEN SIE DAS MAGAZIN UND STELLEN SIE SICHER, DASS DIE WAFFE ENTLADEN IST.

Um den Verschluss abzunehmen, drücken Sie die Mündungshülse hinein und drehen Sie die Mündungsbrille im Uhrzeigersinn zur Seite. Nun können Mündungshülse und Verschlusfeder entnommen werden (Fig. 14). Drehen Sie die Mündungsbrille um ca. 120° im Gegenuhrzeigersinn und entfernen Sie diese nach vorn (Fig. 15). Den Verschluss nach hinten ziehen, bis der Verschlussfanghebel und die Einkerbung parallel zueinander stehen (Fig. 16). Auf der Rechten Seite den Stift mit einem Hilfsmittel durchstechen (Fig. 16a). Danach können Sie den Verschlussfanghebel seitlich heraus ziehen (Fig. 16b). Darauf achten das der Verschlussfanghebel gerade heraus kommt. Der Verschluss kann nun zurückgezogen, angehoben und nach vorn abgenommen werden (Fig. 17). Die Montage erfolgt in umgekehrter Reihenfolge.





## 11 Reinigung

Um die Schusswaffe funktionsfähig zu halten und ihre Lebensdauer zu verlängern, sollte sie in regelmäßigen Zeitabständen gereinigt und gewartet werden.

**! ACHTUNG:** BEVOR SIE DIE WAFFE REINIGEN, STELLEN SIE SICHER, DASS SIE IN EINE SICHERE RICHTUNG ZEIGT, GESICHERT UND ENTLADEN IST (MAGAZIN ENTFERNT, PATRONENLAGER LEER, SICHERHEITSPATRONE (BLAUES FÄHNCHEN) EINGESETZT, LAUF FREI VON HINDERNISSEN).

- Stellen Sie sicher, dass die Griffsicherung nicht in das Griffstück eingedrückt ist.
- Setzen Sie ein LEERES Magazin ein und ziehen Sie den Verschluss so weit zurück, dass er in der geöffneten Position stehen bleibt.
- Entfernen Sie das Magazin.
- Kontrollieren Sie durch eine Sichtprüfung, dass sich keine Munition in der Schusswaffe befindet.
- Entfernen Sie den Verschluss, wie in Kapitel 10 (Zerlegen) beschrieben.
- Entfernen Sie mit Bürste und Lappen Schmauch vom Verschluss, den Magazinlippen, dem Zubringer und dem Griffstück (Fig. 18 - 19).
- Reinigen Sie den Lauf mit einem geeigneten Laufreiniger und einer Bürste. Trocknen Sie ihn anschließend mit Reinigungspfropfen; beginnen Sie immer vom Patronenlager aus. Wiederholen Sie dies so lange, bis der Lauf sauber ist.
- Bringen Sie einen dünnen Ölfilm auf alle Metallteile auf. Bauen Sie die Pistole wieder zusammen und führen Sie eine Funktionsprüfung durch.

Fig. 18

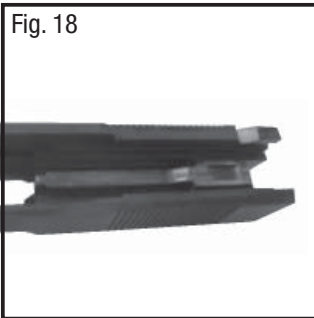
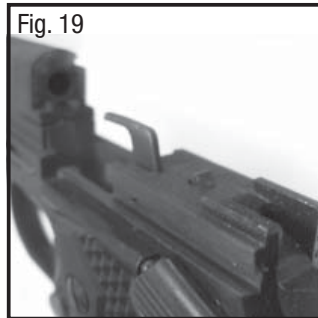


Fig. 19



## 12 Lagerung

Lagern und verwahren Sie Ihre Schusswaffe immer in ungeladenem Zustand. Halten Sie die Schusswaffe und die Munition von Kindern und unbefugten Personen fern. Schusswaffen müssen getrennt von der Munition aufbewahrt werden. Lagern Sie Ihre Schusswaffe immer mit der Sicherheitspatrone (blaues Fähnchen) im Patronenlager, um sicher zu stellen, dass keine Patrone geladen ist (Fig. 21).

**! ACHTUNG:** LASSEN SIE EINE GELADENE SCHUSSWAFFE NIEMALS UNBEAUF SICHTIGT!

## 13 Reparatur

Bei defekten oder beschädigten Produkten wenden Sie sich an Ihren Händler oder an die Service-Abteilung von WALTHER.



Carl WALTHER GmbH

### Service

Postfach 4325                      D - 89033 Ulm  
Im Lehrer Feld 1                  D - 89081 Ulm  
Tel. +49 (0)731 / 15 39 0        Fax +49 (0)731 / 15 39 109

**! ACHTUNG:** NUR EIN AUTORISIERTER UND QUALIFIZIERTER BÜCHSENMACHER  
SOLLTE IHRE SCHUSSWAFFE UNTERSUCHEN UND REPARIEREN!

Fig. 20

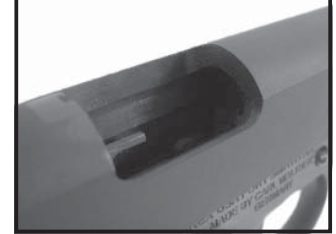


Fig. 21



## 14 Garantie

Innerhalb der ersten zwei Jahre nach dem Kauf übernimmt WALTHER die kostenlose Reparatur oder den Austausch Ihrer Waffe, falls der Defekt nicht durch Fehlbedienung oder Fahrlässigkeit verursacht worden ist.

Die Garantie von WALTHER-Waffen bezieht sich auf Material und Verarbeitung. Bei schriftlicher Benachrichtigung der Firma WALTHER durch den Erstbesitzer innerhalb zwei Jahre nach Kaufdatum und nach Eingang der Waffe zu den u.g. Bedingungen wird der Defekt kostenfrei innerhalb der üblichen Zeit behoben.

Garantieansprüche (in Schriftform) und die betreffende Waffe sollten in der Originalverpackung oder einem ähnlich sicheren Behältnis an den WALTHER-Service gesendet werden. Außerdem muss eine Kopie des Kaufbelegs mit dem Namen des Eigentümers beigelegt werden, aus dem das Kaufdatum ersichtlich ist.

**⚠ ACHTUNG:** **WICHTIG!** STELLEN SIE SICHER, DASS DIE WAFFE ENTLADEN UND DIE SICHERUNG AKTIVIERT IST, WENN SIE EINE WAFFE TRANSPORTIEREN.

Garantiemeldungen sollten das Waffenmodell und die Seriennummer der betroffenen Waffe und eine Beschreibung der Störung enthalten. Es wird empfohlen, den Versand durch den Eigentümer zu versichern, da WALTHER keine Verantwortung für den Verlust oder eine Beschädigung während des Transports übernimmt. Transport- und Versicherungskosten für den Rückversand zum Eigentümer werden von WALTHER getragen, wenn es sich bei der Beanstandung um einen Garantiefall handelt.

Diese Garantie ist beschränkt und ersetzt bisherige und alle anderen Garantienbestimmungen, auch mündliche oder stillschweigende.

Die Gewährleistung, die allgemeine Gebrauchstauglichkeit oder die Tauglichkeit für einen speziellen Zweck werden nicht zugesichert, wobei jegliche Haftung durch Verletzung der gesetzlichen Gewährleistung oder gesetzlicher Bestimmungen ausgeschlossen ist.

Unter keinen Umständen übernimmt WALTHER die Verantwortung für Neben- oder Folgeschäden, unabhängig davon, ob es sich um finanzielle Schäden, Verletzungen, Tod oder Sachbeschädigung handelt, soweit diese durch Verletzung dieser Gewährleistungspflicht, Nachlässigkeit oder sonstiges ausgelöst worden sind. Manche Länder gestatten nicht den Ausschluss oder die Einschränkung von Neben- oder Folgeschäden. Folglich könnte die obige Einschränkung bzw. der genannte Ausschluss teilweise oder insgesamt nicht auf Ihren Fall zutreffen.

WALTHER übernimmt keine Haftung für:

- Fehler oder Störungen, verursacht durch fahrlässige Bedienung, unberechtigte Anpassungen oder Veränderungen durch Personen, die nicht qualifizierte Büchsenmacher sind und durch WALTHER autorisierte Verfahren anwenden, oder durch das Zerlegen über das in dieser Anleitung beschriebene Maß hinaus.
- Benutzung von schadhafter oder falscher Munition, Korrosion, mangelnde Pflege, Missbrauch, üblicher Verschleiß oder übermäßige Benutzung.
- Krimineller Missbrauch, Fahrlässigkeit, Veräußerung, Benutzung unter Einfluss von Drogen oder Alkohol.

WALTHER behält sich das Recht vor darüber zu entscheiden, was normale Abnutzung ist. Diese Garantie gibt Ihnen genau abgegrenzte Rechte. Es können auch weitere Rechte für Sie zutreffen, die von Land zu Land unterschiedlich sein können. Hinweis: Jedwede Haftung wird ausgeschlossen, falls die Hinweise in dieser Bedienungsanleitung nicht eingehalten werden.

#### ADRESSE UND VERSANDANSCHRIFT



Carl WALTHER GmbH

#### Service

Postfach 4325                      D - 89033 Ulm  
 Im Lehrer Feld 1                D - 89081 Ulm  
 Tel. +49 (0) 731 / 15 39 0      Fax +49 (0) 731 / 15 39 109

## 15 Technische Daten

Modell	Government	Gold Cup	Rail Gun
Kaliber	.22 l.r.		
Verriegelungsart	Masseverschluss		
Abzug	Single Action		
Magazinkapazität	12 Schuss		
Abmessungen (L/H/B)	220 / 140 / 35 mm	225 / 140 / 35 mm	
Lauflänge	127 mm		
Schusswaffe mit leerem Magazin	930 g	940 g	950 g

## 16 Varianten

### COLT GOVERNMENT®

- Schlitten aus hochfestem Aluminium CNC - geätzt
- Original-Sicherungshebel
- Standard-Handballensicherung



### COLT RAIL GUN®

- Schlitten aus hochfestem Aluminium CNC - geätzt
- Picatinny-Schiene
- Spannrillen vorn und hinten am Verschluss
- Skeletierter Hahn
- Skeletierter Abzug
- Verlängerter Sicherungshebel
- Verlängerte Beavertail-Handballensicherung

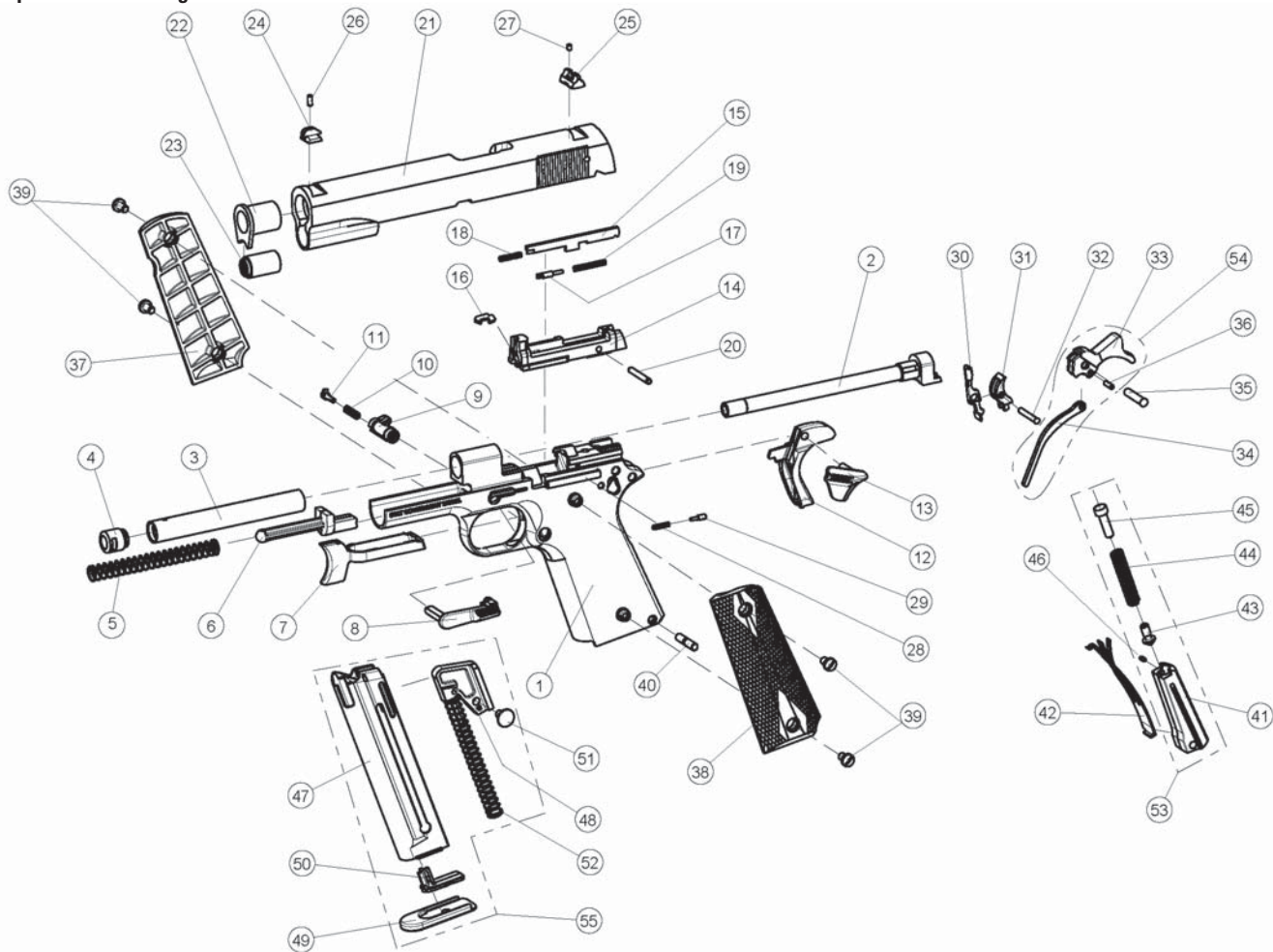


### COLT GOLD CUP®

- Schlitten aus hochfestem Aluminium CNC - geätzt
- Skeletierter Hahn
- Skeletierter Abzug
- Target Visierung
- Verlängerte Beavertail-Handballensicherung



17 Explosionsdarstellung/Stückliste  
17.1 Explosionsdarstellung



## 17.2 Teile

<b>1</b>	517.200.01	Griffstück	<b>19</b>	512.40.20.1	Druckfeder	<b>34</b>	517.200.10.0	Schlagstange
	517.201.01	Griffstück, Rail Gun	<b>20</b>	512.20.26.3	Schwerspannstift	<b>35</b>	517.200.28.0	Stift
	517.202.01	Griffstück, Gold Cup	<b>21</b>	517.400.01.0	Verschluss	<b>36</b>	517.200.11.3	Stift
<b>2</b>	517.500.01	Laufblock montiert		517.401.01.0	Verschluss, Rail Gun	<b>37</b>	517.200.16.1	Griffschale, rechts
<b>3</b>	512.51.02.0	Laufmantel		517.402.01.0	Verschluss, Gold Cup	<b>38</b>	517.200.15.1	Griffschale, links
<b>4</b>	512.50.04	Laufmutter	<b>22</b>	517.400.04.0	Mündungsbrille	<b>39</b>	517.200.30.0	Griffschalenschraube
<b>5</b>	517.400.07.1	Verschlussfeder	<b>23</b>	517.400.05.0	Mündungshülse	<b>40</b>	517.200.29.0	Stift
<b>6</b>	517.200.27.0	Federführungsstange	<b>24</b>	517.700.01.0	Korn	<b>41</b>	517.200.02.0	Griffrücken
<b>7</b>	517.200.07.0	Abzug		517.701.01	Korn, Rail Gun, montiert	<b>42</b>	517.200.17.0	Blattfeder
	517.201.07.0	Abzug, Rail Gun		517.702.01	Korn, Gold Cup, montiert	<b>43</b>	517.200.03.1	Bolzen für Hauptfeder
<b>8</b>	517.200.23	Schlittenfanghebel	<b>25</b>	517.700.02.0	Visier	<b>44</b>	318.203.19.1	Hauptfeder
<b>9</b>	517.200.24.0	Magazinhalter		517.701.02	Visier, Rail Gun	<b>45</b>	517.200.04.1	Gegenlagerbolzen
<b>10</b>	517.200.26.1	Druckfeder f. Magazinhalter		517.702.02	Visier, Gold Cup, montiert	<b>46</b>	517.200.06.3	Stift für Griff Rücken
<b>11</b>	517.200.25.0	Druckbolzen f. Magazinhalter	<b>26</b>	517.701.04.1	Gewindestift	<b>47</b>	517.600.01.0	Magazinrohr
<b>12</b>	517.200.14.0	Griffsicherung	<b>27</b>	507.700.05.1	Gewindestift	<b>48</b>	517.600.04.1	Zubringer
	517.201.14.0	Griffsicherung, Rail Gun		517.701.05.1	Gewindestift, Rail Gun	<b>49</b>	517.600.02.1	Magazinschuh
<b>13</b>	517.200.21.0	Sicherungshebel		517.702.03.1	Gewindestift, Gold Cup	<b>50</b>	517.600.03.1	Plättchen
	517.201.21.0	Sicherungshebel, Rail Gun	<b>28</b>	517.200.19.1	Feder	<b>51</b>	517.600.05.0	Magazinknopf
<b>14</b>	517.400.02.0	Stossboden	<b>29</b>	517.200.18.0	Druckbolzen f Sicherung	<b>52</b>	570.60.04.1	Magazinfeder
<b>15</b>	517.400.08.0	Schlagbolzen	<b>30</b>	517.200.13.0	Unterbrecher	<b>53</b>	517.200.02	Griff Rücken, montiert
<b>16</b>	517.400.03.0	Auszieher	<b>31</b>	517.200.12.0	Abzugstollen	<b>54</b>	517.200.09	Hahn, montiert
<b>17</b>	506.40.05.1	Auszieherbolzen	<b>32</b>	517.200.31.0	Stift		517.201.09	Hahn, montiert, Rail Gun
<b>18</b>	517.400.10.1	Druckfeder	<b>33</b>	517.200.09.0	Hahn	<b>55</b>	517.600	12-Schuss-Magazin
				517.201.09.0	Hahn, Rail Gun			

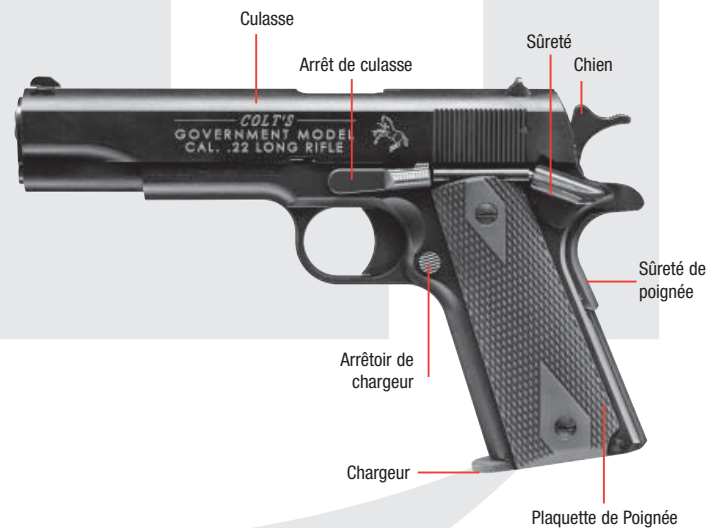




**Colt 1911**  
pistolet semi-automatique  
Cal. .22 L.R.



GB  
DE  
FR  
ES  
IT



**ATTENTION :** VEUILLEZ LIRE ATTENTIVEMENT LES  
CONSIGNES ET AVERTISSEMENTS FIGURANT DANS LE PRÉSENT  
MODE D'EMPLOI AVANT D'UTILISER CETTE ARME À FEU.

**MADE BY CARL WALTHER**

MODE D'EMPLOI

## Indications importantes sur le comportement avec des armes

Partez de la base de ce que même l'arme la plus sûre peut devenir dangereuse pour vous et pour d'autres à force d'un emploi incorrect. Familiarisez-vous d'abord à moyen du mode d'emploi avec la fonction et le maniement de l'arme Manier l'arme non chargée comme si elle était chargée.

 **ATTENTION :** Respectez toujours: Jamais un doigt doit être au niveau de la détente, en dehors du tir voulu. Tenez l'arme toujours de façon que des personnes n'ayant point part ne soient pas mises en danger.

N'utilisez jamais de la violence en maniant, en démontant et en montant . La sécurité n'est garantie que si l'arme se trouve dans un état de sécurité impeccable.

Un maniement inexpert et un entretien faisant défaut peuvent porter atteinte à la fonction et à la sécurité de l'arme.

Prenez en considération qu'en cas d'influences extérieures, par exemple corrosion, chute par terre et cætera, l'arme doit être contrôlée par un spécialiste.

Des manipulations incorrectes du mécanisme, des détériorations provoquées par la violence et des modifications provoquées par des personnes tierces dispensent le fabricant de toute revendication de garantie. Des travaux au niveau d'armes ne doivent pas être entreprises que par des spécialistes autorisés.

N°	SOMMAIRE	Page
	Éléments de commande	41
1	Consignes de sécurité	43 - 44
2	Contrôle de fonctionnement	45 - 46
3	Chargement du pistolet	46 - 47
4	Tir	48
5	Chargeur vide	49
6	Déchargement	50
7	Marche à suivre en cas de mauvaises mises à feu	50
8	Réglage de la hausse	51
9	Gold Cup	51
10	Démontage	52
11	Nettoyage	53
12	Rangement	54
13	Réparation	54
14	Garantie	55 - 56
15	Caractéristiques techniques	56
16	Variantes	57
17	Représentation éclatée	58
17	Liste des pièces	59
	Contact	back



## 1.1 Sûreté manuelle

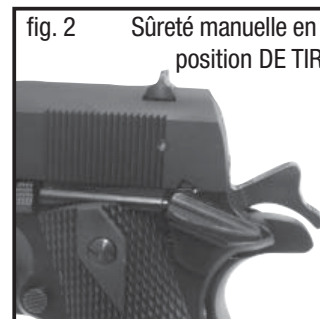
SÛRETÉ ENCLANCHÉE - Poussez le levier de sûreté vers le haut (fig. 1).

ARME PRÊTE À TIRER - Poussez le levier de sûreté vers le bas (fig. 2).

Le levier de sûreté ne peut être mis en position « ENCLANCHÉE » que lorsque le chien est armé. La sûreté manuelle bloque la détente, le chien et la culasse.

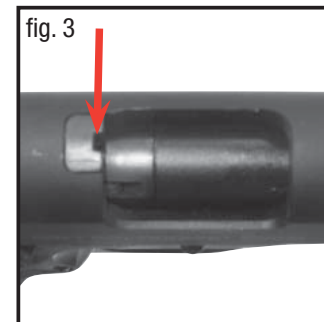
## 1.2 Sûreté de poignée

La sûreté de poignée bloque la détente. Vous ne pouvez actionner la détente et déclencher un tir qu'à partir du moment où vous appuyez sur la sûreté de poignée en tenant la poignée du pistolet dans votre main.



### 1.3 Indicateur de charge

L'évidement dans la partie supérieure de la culasse permet de contrôler visuellement si une balle se trouve dans la boîte de culasse (fig. 3).



**ATTENTION :** TOUTES LES SÛRETÉS DE CETTE ARME SONT DES SÛRETÉS MÉCANIQUES. ELLES NE PEUVENT ÊTRE ENCLENCHEES OU ARRETEES QUE PAR LE TIREUR LUI-MEME. NE VOUS FIEZ JAMAIS AUX SEULES SÛRETÉS MÉCANIQUES ; SOYEZ TOUJOURS EXTREMEMENT VIGILANT ET EVITEZ LES SITUATIONS POUVANT ENTRAINER UN ACCIDENT.

**ATTENTION :** NE VOUS FIEZ JAMAIS UNIQUEMENT AUX INDICATEURS ET SÛRETÉS MÉCANIQUES, SOYEZ TOUJOURS EXTREMEMENT PRUDENT. VEILLES A MANIPULER LES ARMES AVEC LA PLUS GRANDE PRUDENCE ET EVITEZ LES SITUATIONS POUVANT ENTRAINER DES ACCIDENTS.

**ATTENTION :** VERIFIEZ TOUJOURS LA BOITE DE CULASSE DE VOTRE ARME A FEU APRES AVOIR RETIRE LE CHARGEUR DE L'ARME. VERIFIEZ QU'AUCUNE BALLE NE SE TROUVE DANS LA BOITE DE CULASSE.

## 2 Contrôle de fonctionnement

**ATTENTION :** AVANT DE CHARGER L'ARME, ASSUREZ-VOUS QUE LA SURETE EST ENCLENCHEE, QUE L'ARME EST POINTEE DANS UNE DIRECTION SURE ET QU'ELLE EST DECHARGEE (CHARGEUR RETIRE, BOITE DE CULASSE VIDE, CARTOUCHE DE SECURITE INSEREE (FANION BLEU), CANON VIDE).

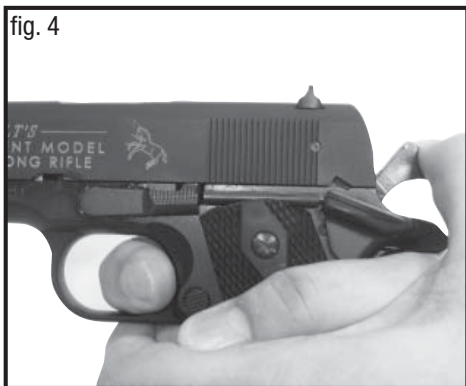
**ATTENTION :** NE PLACEZ JAMAIS VOTRE MAIN DEVANT LA BOUCHE DE L'ARME.

### Contrôle de fonctionnement

1. Assurez-vous que la boîte de culasse et le chargeur sont vides. Retirez le chargeur et tirez la culasse vers l'arrière. Relâchez la culasse afin qu'elle revienne complètement vers l'avant en position fermée.
2. Introduisez le chargeur vide et tirez la culasse vers l'arrière. La culasse est arrêtée dans sa position la plus en arrière par le levier d'arrêt de culasse.
3. Retirez le chargeur, tirez légèrement la culasse vers l'arrière et relâchez-la. Une fois libérée, la culasse revient complètement vers l'avant en position fermée.
4. Tenez l'arme dans la main avec laquelle vous tirez et pointez-la dans une direction sûre, mais sans appuyer sur la sûreté de poignée qui se trouve dans la poignée du pistolet. Essayez d'actionner la détente ; elle doit être verrouillée.
5. Pour désarmer l'arme, assurez-vous que la boîte de culasse est vide, appuyez avec votre main sur la sûreté de poignée qui se trouve dans la poignée du pistolet, maintenez fermement le chien avec le pouce de votre autre main, actionnez la détente et laissez le chien glisser lentement vers l'avant (fig. 4).

**ATTENTION :** POINTEZ L'ARME DANS UNE DIRECTION SURE LORSQUE VOUS LA DESARMEZ. LE NON-RESPECT DE CET AVERTISSEMENT PEUT ENTRAINER DE GRAVES BLESSURES VOIRE LA MORT.

fig. 4



## 2.1 Contrôle de fonctionnement après utilisation

**⚠ ATTENTION :** APRÈS UTILISATION, ASSUREZ-VOUS QUE L'ARME EST DECHARGÉE (BOÎTE DE CULASSE VIDE, CANON EXEMPT DE TOUT OBSTACLE) ET QUE LE CHARGEUR EST VIDE. POINTEZ L'ARME DANS UNE DIRECTION SÛRE ET DESARMEZ LE CHIEN. INSÉREZ LA CARTOUCHE DE SÉCURITÉ (FANION BLEU).

## 3 Chargement du pistolet

**⚠ ATTENTION :** AVANT DE CHARGER L'ARME, ASSUREZ-VOUS TOUJOURS QUE L'ARME EST POINTEE DANS UNE DIRECTION SÛRE ET QU'ELLE EST DECHARGÉE (CHARGEUR RETIRÉ, BOÎTE DE CULASSE VIDE, CARTOUCHE DE SÉCURITÉ INSÉRÉE (FANION BLEU), CANON EXEMPT DE TOUT OBSTACLE).

Poussez l'arrêteur de chargeur et retirez le chargeur vide (fig. 5).

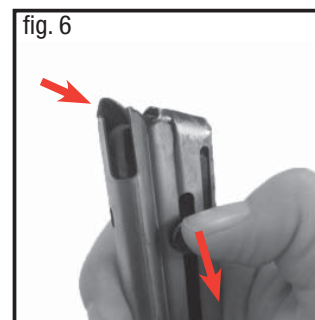
Utilisez le bouton latéral pour amener le dispositif d'alimentation vers le bas et introduisez la balle sous les lèvres du chargeur (fig. 6). Ne forcez pas trop. Retirez la cartouche de sécurité (fanion bleu). Insérez le chargeur dans l'arme jusqu'à ce que l'arrêteur de chargeur s'enclenche. Après avoir introduit le chargeur, vérifiez toujours qu'il est bien enclenché. Pour cela, donnez un coup bref sur le fond du chargeur.

#### 4 Introduction de la première munition

Tenez l'arme dans la main avec laquelle vous tirez et dirigez-la dans une direction sûre. Avec l'autre main, tirez la culasse vers l'arrière et laissez-la glisser vers l'avant (fig. 7). Ne placez jamais votre main devant la bouche de l'arme. En revenant vers l'avant, la culasse introduit la première balle dans la boîte de culasse. Le chien est à présent armé. Laissez la sûreté enclenchée (position « SAFE ») jusqu'à ce que vous soyez prêt à tirer.

**ATTENTION :** NE PLACEZ JAMAIS VOTRE MAIN DEVANT LA BOUCHE DE L'ARME.

**ATTENTION :** CHARGEZ UNE BALLE DANS LA BOITE DE CULASSE EN L'Y INTRODUISANT PAR L'INTERMEDIAIRE DU CHARGEUR. LE NON-RESPECT DE CET AVERTISSEMENT PEUT ENTRAINER DE GRAVES BLESSURES, VOIRE LA MORT. N'ESSAYEZ EN AUCUN CAS DE CHARGER L'ARME PAR L'INTERMEDIAIRE DE LA FENETRE D'EXTRACTION OUVERTE.



**ATTENTION :** AVEC LE COLT 1911 CAL. 22 L.R., IL EST POSSIBLE DE DECLENCHER UN TIR MEME LORSQUE AUCUN CHARGEUR NE SE TROUVE DANS L'ARME. SI, APRES RETRAIT DU CHARGEUR, UNE BALLE CHARGEE SE TROUVE ENCORE DANS LA BOITE DE CULASSE, UN TIR PEUT ETRE DECLENCHE EN APPUYANT SUR LA DETENTE.

## 5 Tir

Le Colt 1911 est équipé d'une détente à simple action.

- Pointez l'arme dans une direction sûre et tenez votre doigt en dehors du pontet, mettez la sûreté en position de TIR (fig. 8) et appuyez sur la sûreté de poignée. L'arme est à présent prête à tirer.
- Lorsque la détente est actionnée jusqu'au bout, le chien est déclenché et frappe le percuteur. Lors du tir, la culasse se déplace vers l'arrière et, ce faisant, vide la douille et l'expulse ; le chien est ensuite complètement armé.
- Enfin, la culasse revient vers l'avant et introduit la balle suivante du chargeur dans la boîte de culasse. Le chien reste en position armée, si bien que les tirs suivants peuvent être déclenchés par la détente à simple action. Ce procédé peut être répété jusqu'à la dernière munition du chargeur, sachant que le dispositif d'alimentation du chargeur pousse alors le levier d'arrêt de culasse vers le haut, que l'arrêt de culasse s'enclenche dans la culasse et la maintient ainsi en position ouverte.

fig. 8 Sûreté manuelle en position de tir (FIRE)



**ATTENTION :** VOTRE ARME EST A PRESENT PRETE A TIRER. TENEZ VOTRE DOIGT ELOIGNE DE LA DETENTE ET EN DEHORS DU PONTET JUSQU'A CE QUE VOUS SOYEZ PRET A TIRER.



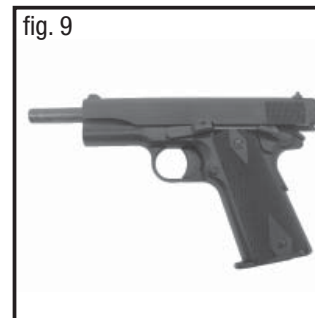
## 6 Chargeur vide

Après le dernier coup, l'arrêt de culasse maintient la culasse en position ouverte (fig. 9).

Continuer à tirer - Remplacez le chargeur vide par un plein. Tirez la culasse vers l'arrière et laissez-la repartir vers l'avant. La culasse glisse vers l'avant et introduit la première balle dans la boîte de culasse. Tenez l'arme dans la main avec laquelle vous tirez. Votre doigt ne se trouve pas sur la détente et l'arme est pointée dans une direction sûre de manière à ce qu'aucune autre personne ne soit mise en danger.

Arrêter de tirer - Retirez le chargeur et vérifiez la boîte de culasse. Elle doit être vide (fig. 20). Fermez la culasse et mettez le levier de sûreté en position enclenchée (« SAFE »).

fig. 9



## 7 Déchargement

Pointez l'arme dans une direction sûre. Retirez le chargeur. Tirez la culasse vers l'arrière et assurez-vous par un contrôle visuel que la boîte de culasse est vide (fig. 20). Insérez la cartouche de sécurité (fanion bleu) dans la boîte de culasse vide (fig. 21). Pointez l'arme dans une direction sûre. Appuyez avec votre main sur la sûreté de poignée qui se trouve dans la poignée du pistolet, maintenez fermement le chien avec le pouce de votre autre main, actionnez la détente et laissez le chien glisser lentement vers l'avant.

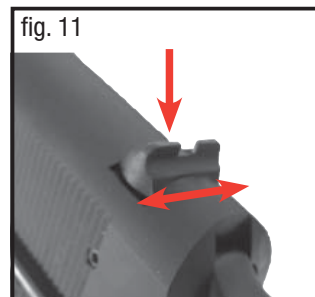
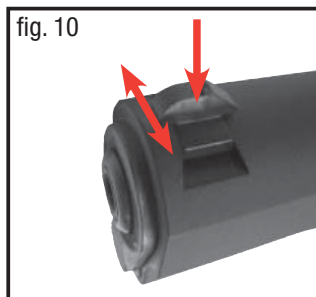
 **ATTENTION :** POINTEZ L'ARME DANS UNE DIRECTION SURE LORSQUE VOUS LA DESARMEZ. LE NON-RESPECT DE CET AVERTISSEMENT PEUT ENTRAINER DE GRAVES BLESSURES VOIRE LA MORT.

## 8 Marche à suivre en cas de mauvaises mises à feu

- En cas de mauvaise mise à feu, attendez 30 secondes pendant lesquelles l'arme doit toujours être maintenue dans une direction sûre.
- Retirez le chargeur.
- Tenez votre doigt éloigné de la détente et en dehors du pontet.
- Saisissez la culasse et tirez-la rapidement vers l'arrière jusqu'en butée ; la balle défectueuse est ainsi expulsée. Vérifiez que la boîte de culasse et le canon sont bien exempts de tout obstacle en introduisant une tige de nettoyage par la bouche jusqu'à la boîte de culasse. Ne regardez jamais dans le canon par la bouche de l'arme.
- Assurez-vous qu'aucune balle ou autre obstacle ne se trouve dans le canon. Attention : lorsque vous fermez la culasse alors qu'un chargeur plein se trouve dans l'arme, celle-ci est alors chargée et prête à tirer.

## 9 Réglage de la hausse

La position latérale du point d'impact peut être corrigée par l'intermédiaire du guidon ou de la hausse. Dévissez la tige filetée sur le composant à régler et déplacez-le vers la droite ou la gauche (fig. 10-11).



### 9.1 Gold Cup

La hauteur du point d'impact peut être corrigée à l'aide d'une vis située au-dessus de la hausse. Cette vis permet de corriger la hauteur cran par cran (fig. 12) :

- |                              |   |
|------------------------------|---|
| Le pistolet tire trop haut : | tournez la vis dans le sens des aiguilles d'une montre          |
| Le pistolet tire trop bas :  | tournez la vis dans le sens inverse des aiguilles d'une montre. |

La position latérale du point d'impact peut être corrigée à l'aide d'une vis située sur le côté de la hausse. Cette vis permet une correction latérale cran par cran (fig. 13)

- |                                   |   |
|-----------------------------------|---|
| Le pistolet tire vers la droite : | tournez la vis dans le sens inverse des aiguilles d'une montre. |
| Le pistolet tire vers la gauche : | tournez la vis dans le sens des aiguilles d'une montre.         |



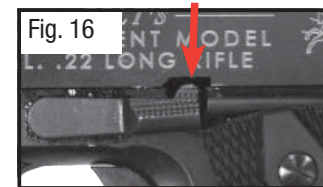
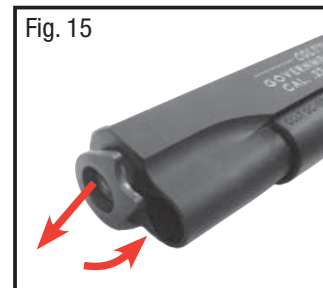
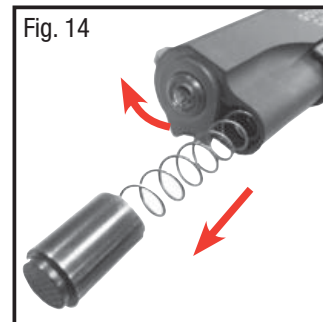
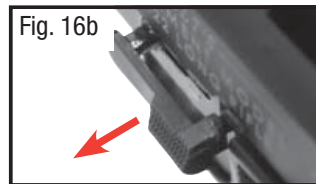
## 10 Démontage

**ATTENTION :** SUIVEZ TRES EXACTEMENT LES INSTRUCTIONS DE DEMONTAGE. N'ENTREPRENEZ RIEN D'AUTRE QUE CE QUI EST INDIQUE DANS CES INSTRUCTIONS. NE MODIFIEZ NI NE REMANIEZ JAMAIS DES COMPOSANTS DE VOTRE ARME.

**ATTENTION :** PORTEZ TOUJOURS DES LUNETTES DE PROTECTION PREVUES POUR ETRE UTILISEES AVEC DES ARMES, MEME LORS DU NETTOYAGE ET DE L'ENTRETIEN DE L'ARME.

**ATTENTION :** AVANT LE DEMONTAGE, RETIREZ LE CHARGEUR ET ASSUREZ-VOUS QUE L'ARME EST DECHARGEE.

Pour détacher la culasse, enfoncez le bloc ressort et tournez le compensateur (bushing) dans le sens des aiguilles d'une montre vers le côté. Le bloc ressort et le ressort de recul peuvent à présent être enlevés (fig. 14). Tournez le compensateur d'env. 120° dans le sens inverse des aiguilles d'une montre et retirez-le vers l'avant (fig. 15). Tirez la culasse vers l'arrière jusqu'à ce que le levier d'arrêt de culasse et l'encoche soient en position parallèle (fig. 16). Sur le côté droit, pousser la tige à l'aide d'un accessoire auxiliaire (fig. 16a). Vous pouvez ensuite extraire le levier d'arrêt de culasse par le côté (fig. 16b). Veillez à ce que le levier d'arrêt de culasse soit bien droit lors de son retrait. La culasse peut maintenant être tirée vers l'arrière, soulevée et détachée en l'amenant vers l'avant (fig. 17). Le montage s'effectue dans l'ordre inverse.



## 11 Nettoyage

Pour maintenir l'arme dans un bon état de fonctionnement et rallonger sa durée de vie, celle-ci doit être entretenue et nettoyée à intervalles réguliers.

**! ATTENTION :** AVANT DE NETTOYER L'ARME, ASSUREZ-VOUS QUE LA SURETE EST ENCLENCHEE, QUE L'ARME EST POINTEE DANS UNE DIRECTION SURE ET QU'ELLE EST DECHARGEE (CHARGEUR RETIRE, BOITE DE CULASSE VIDE, CARTOUCHE DE SECURITE INSEREE (FANION BLEU), CANON EXEMPT DE TOUT OBSTACLE).

- Assurez-vous que vous la sûreté de poignée n'est pas enfoncée dans la poignée.
- Insérez un chargeur VIDE et tirez la culasse vers l'arrière jusqu'à ce qu'elle reste en position ouverte.
- Retirez le chargeur.
- Contrôlez visuellement que plus aucune munition ne se trouve dans l'arme.
- Démontez la culasse comme indiqué au chapitre 10 (démontage).
- À l'aide d'une brosse et de chiffons, retirez les salissures se trouvant sur la culasse, les lèvres du chargeur, le dispositif d'alimentation et la poignée (fig. 18-19).
- Nettoyez le canon à l'aide d'un écouvillon et d'une brosse adaptés. Séchez ensuite à l'aide de tampons de nettoyage, en commençant toujours par la boîte de culasse. Répétez cette étape jusqu'à ce que le canon soit propre.
- Appliquez une fine couche d'huile sur toutes les parties métalliques. Remontez le pistolet et vérifiez son bon fonctionnement.

fig. 18

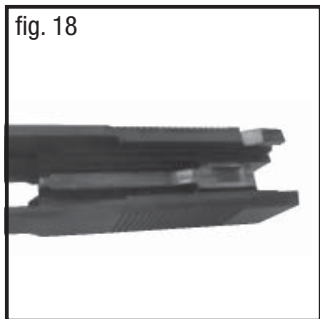
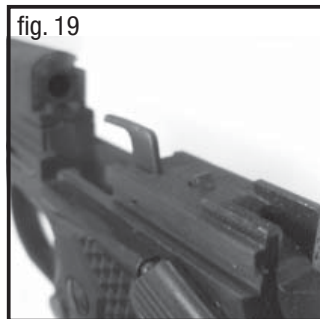


fig. 19



## 12 Rangement

Rangez et conservez votre arme toujours non chargée. Maintenez l'arme et les munitions hors de portée des enfants et des personnes non autorisées. Les armes doivent être rangées séparément des munitions. Rangez toujours votre arme avec la cartouche de sécurité (fanion bleu) dans la boîte de culasse de manière à vous assurer que plus aucune balle n'est chargée (fig. 21).

**ATTENTION :** NE LAISSEZ JAMAIS UNE ARME CHARGÉE SANS SURVEILLANCE !

## 13 Réparation

Pour tout produit endommagé ou défectueux, veuillez vous adresser à votre revendeur ou au service après-vente de WALTHER.



Carl WALTHER GmbH

### Service

Postfach 4325                      D - 89033 Ulm  
Im Lehrer Feld 1                  D - 89081 Ulm  
Tel. +49 (0)731 / 15 39 0        Fax +49 (0)731 / 15 39 109

**ATTENTION :** SEUL UN ARMURIER AUTORISÉ ET QUALIFIÉ DOIT INSPECTER ET RÉPARER VOTRE ARME À FEU !

fig. 20

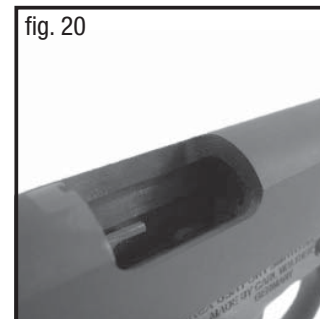


fig. 21



## 14 Garantie

Durant les deux années suivant la date d'achat, WALTHER répare et remplace gratuitement votre arme défectueuse si le dysfonctionnement n'est pas dû à une mauvaise utilisation ou à une négligence.

La garantie des armes WALTHER s'applique aux défauts de matériaux et de fabrication. Tout défaut de ce type que le propriétaire d'origine signale par écrit à WALTHER dans un délai de deux ans à compter de la date d'achat sera réparé gratuitement par WALTHER dans un délai raisonnable à compter de la réception de l'arme dans les conditions indiquées ci-après.

Les revendications de garantie (sous forme écrite) et l'arme à feu concernée doivent être mises à disposition du service Garantie de WALTHER dans l'emballage d'origine ou un contenant sûr similaire.

De plus, une copie du justificatif d'achat portant le nom du propriétaire de l'arme et la date d'achat doit être jointe.

**⚠ ATTENTION :** ASSUREZ-VOUS QUE L'ARME N'EST PAS CHARGÉE, QUE LA SÛRETÉ EST BIEN EN POSITION ENCLENCHÉE ET QUE L'ARME EST POINTÉE DANS UNE DIRECTION SÛRE.

Les demandes de garantie doivent porter le nom du modèle et le numéro de série de l'arme concernée, ainsi qu'une description des problèmes rencontrés. Il est recommandé au propriétaire d'assurer lui-même l'envoi, car WALTHER n'engage aucunement sa responsabilité en cas de vol ou de dommage durant le transport. Les frais de transport et d'assurance pour le retour de l'arme au propriétaire sont pris en charge par WALTHER si la demande est bien couverte par la garantie.

CETTE GARANTIE EST LIMITÉE ET REMPLACE TOUTES LES AUTRES GARANTIES EXPRESSES OU TACITES.

AUCUNE GARANTIE TACITE OU DE COMMERCIALISATION OU D'ADAPTABILITÉ À UN OBJECTIF PARTICULIER N'EST ACCORDÉE ET TOUTE RESPONSABILITÉ POUR NON-RESPECT D'UNE QUELCONQUE GARANTIE TACITE OU D'UNE GARANTIE ÉMANANT DU DROIT EST EXCLUE.

WALTHER NE POURRA EN AUCUN CAS ÊTRE TENU RESPONSABLE DE DOMMAGES ACCESSOIRES OU INDIRECTS, QU'IL RETOURNE D'UNE PERTE ÉCONOMIQUE, D'UNE BLESSURE, D'UN DÉCÈS OU DE DOMMAGES MATÉRIELS, DANS LA MESURE OÙ CEUX-CI SONT LE RÉSULTAT DU NON-RESPECT DE L'OBLIGATION DE GARANTIE, DE NÉGLIGENCE OU AUTRE.

La limitation ou l'exclusion ci-dessus peut ne pas s'appliquer dans la mesure où certains états interdisent l'exclusion et la limitation de responsabilité pour des dommages accessoires ou indirects.

WALTHER n'engage pas sa responsabilité pour :

- les défauts ou dysfonctionnements résultant d'une manipulation inappropriée, de réglages non autorisés ou de modifications apportées ou initiées par toute autre personne qu'un armurier qualifié suivant les procédures d'autorisation WALTHER, ou encore de démontage allant au-delà des consignes figurant dans le présent mode d'emploi.
- l'utilisation de munitions inappropriées ou défectueuses, et en cas de corrosion, entretien insuffisant, mauvaise utilisation, usure ordinaire, ou d'utilisation excessive.
- des utilisations criminelles, ou en cas de négligences, de revente, d'utilisation sous l'emprise de drogue ou d'alcool.

WALTHER se réserve le droit de déterminer ce qui constitue une usure ordinaire. Cette garantie vous octroie des droits spécifiques. Vous pouvez également bénéficier de droits supplémentaires selon l'état où vous vous trouvez. Remarque : toute responsabilité est exclue si les consignes portées dans le présent mode d'emploi ne sont pas observées.

## CONTACT & ADRESSE D'EXPÉDITION



**Carl WALTHER GmbH**

### Service

Postfach 4325 D - 89033 Ulm  
 Im Lehrer Feld 1 D - 89081 Ulm  
 Tel. +49 (0) 731 / 15 39 0 Fax +49 (0) 731 / 15 39 109

## 15 Caractéristiques techniques

Modèle	Government	Gold Cup	Rail Gun
Kaliber	.22 L.R.		
Type de verrouillage	blowback		
Détente	Simple action		
Capacité du chargeur	12 coups		
Dimensions (L/H/I)	220 / 140 / 35 mm	225 / 140 / 35 mm	
Longueur du canon	127 mm		
Arme à feu avec chargeur vide	930 g	940 g	950 g



## 16 Variantes

### COLT GOVERNMENT®

- Poignée métallique
- Levier de sûreté standard
- Sûreté de poignée standard



### COLT RAIL GUN®

- Poignée métallique
- Rail Picatinny
- Cannelures devant et derrière sur la culasse
- Chien ajouré
- Détente ajourée
- Levier de sûreté rallongé
- Sûreté de poignée queue de castor rallongée



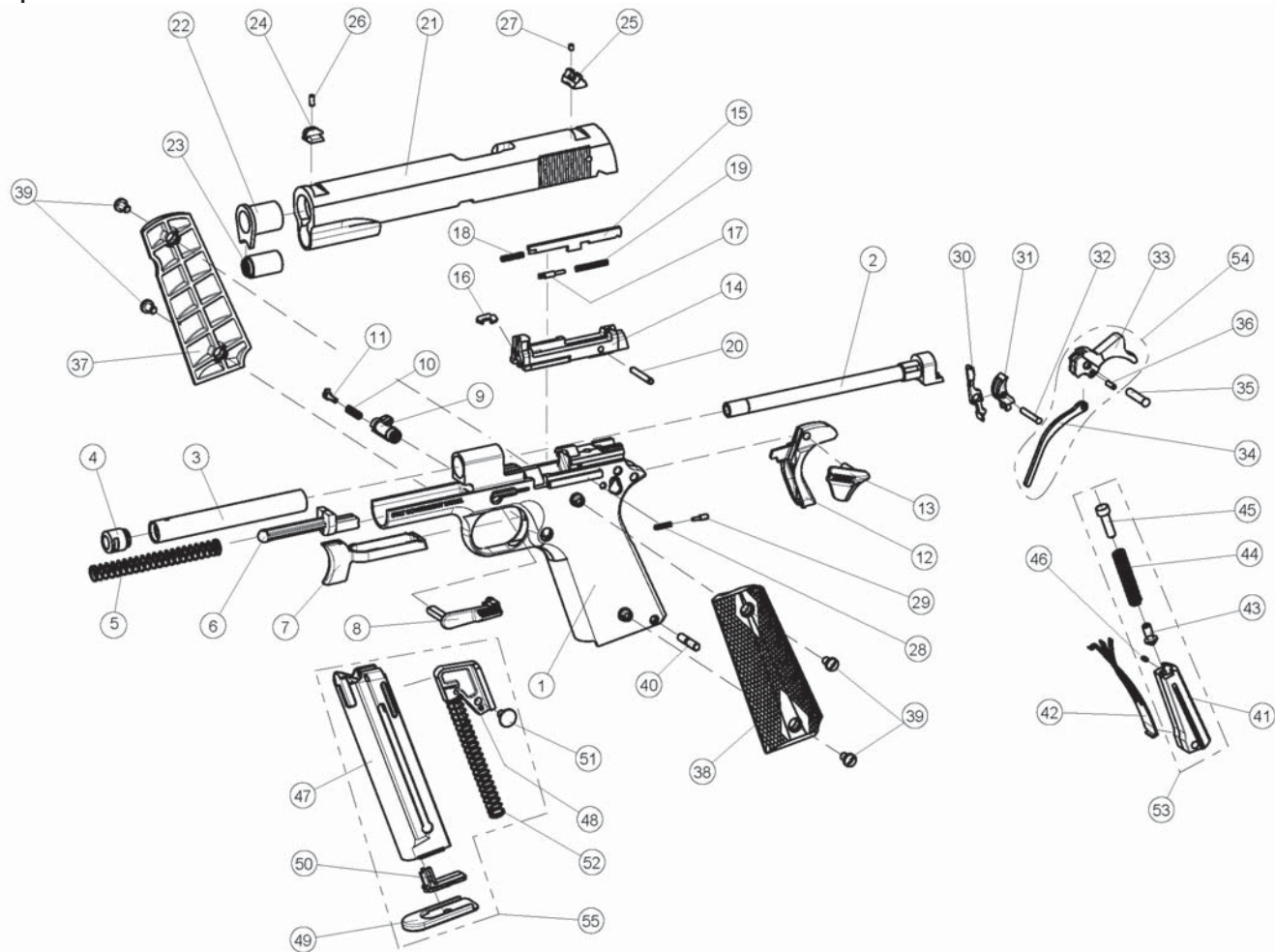
### COLT GOLD CUP®

- Poignée métallique
- Chien ajouré
- Détente ajourée
- Hausse « Target » réglable
- Sûreté de poignée queue de castor rallongée



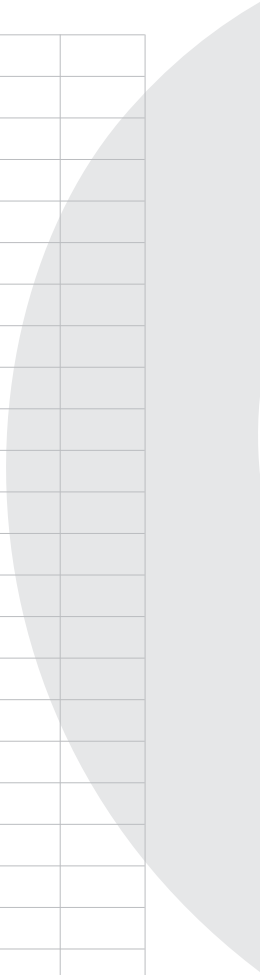
## 17 Représentation éclatée / liste des pièces

### 17.1 Représentation éclatée



## 17.2 Liste des pièces

<b>1</b>	517.200.01	Poignée	<b>19</b>	512.40.20.1	Ressort	<b>34</b>	517.200.10.0	Biellette de chien
	517.201.01	Poignée, Rail Gun	<b>20</b>	512.20.26.3	Goupille de fixation	<b>35</b>	517.200.28.0	Goupille
	517.202.01	Poignée, Gold Cup	<b>21</b>	517.400.01.0	Culasse	<b>36</b>	517.200.11.3	Goupille
<b>2</b>	517.500.01	Canon		517.401.01.0	Culasse, Rail Gun	<b>37</b>	517.200.16.1	Plaquette de poignée, droite
<b>3</b>	512.51.02.0	Manchon du canon		517.402.01.0	Culasse, Gold Cup	<b>38</b>	517.200.15.1	Plaquette de poignée, gauche
<b>4</b>	512.50.04	Écrou-coulisseau	<b>22</b>	517.400.04.0	Compensateur	<b>39</b>	517.200.30.0	Vis de plaquette de poignée
<b>5</b>	517.400.07.1	Ressort de recul	<b>23</b>	517.400.05.0	Bloc ressort	<b>40</b>	517.200.29.0	Goupille
<b>6</b>	517.200.27.0	Guide de ressort de recul	<b>24</b>	517.700.01.0	Guidon	<b>41</b>	517.200.02.0	Boîtier de ressort-percuteur
<b>7</b>	517.200.07.0	Détente		517.701.01	Guidon, Rail Gun, monté	<b>42</b>	517.200.17.0	Ressort, clenche
	517.201.07.0	Détente, Rail Gun		517.702.01	Guidon, Gold Cup, monté	<b>43</b>	517.200.03.1	Vis d'arrêt
<b>8</b>	517.200.23	Arrêt de culasse	<b>25</b>	517.700.02.0	Hausse	<b>44</b>	318.203.19.1	Ressort-percuteur
<b>9</b>	517.200.24.0	Arrêteur de chargeur		517.701.02	Hausse, Rail Gun, monté	<b>45</b>	517.200.04.1	Vis de ressort-percuteur
<b>10</b>	517.200.26.1	Ressort		517.702.02	Hausse, Gold Cup, monté	<b>46</b>	517.200.06.3	Goupille de fixation
<b>11</b>	517.200.25.0	Arrêteur de chargeur	<b>26</b>	517.701.04.1	Vis sans tête	<b>47</b>	517.600.01.0	Boîtier de chargeur
<b>12</b>	517.200.14.0	Sûreté de poignée	<b>27</b>	507.700.05.1	Vis sans tête	<b>48</b>	517.600.04.1	Dispositif d'alimentation
	517.201.14.0	Sûreté de poignée, Rail Gun		517.701.05.1	Vis sans tête, Rail Gun	<b>49</b>	517.600.02.1	Fond de chargeur
<b>13</b>	517.200.21.0	Levier de sûreté		517.702.03.1	Vis sans tête, Gold Cup	<b>50</b>	517.600.03.1	Support de fond
	517.201.21.0	Levier de sûreté, Rail Gun	<b>28</b>	517.200.19.1	Ressort	<b>51</b>	517.600.05.0	Bouton de chargeur
<b>14</b>	517.400.02.0	Culasse	<b>29</b>	517.200.18.0	Boulon d'arrêt, levier de sûreté	<b>52</b>	570.60.04.1	Ressort de chargeur
<b>15</b>	517.400.08.0	Percuteur	<b>30</b>	517.200.13.0	Interrupteur	<b>53</b>	517.200.02	Boîtier de ressort-percuteur, monté
<b>16</b>	517.400.03.0	Extracteur	<b>31</b>	517.200.12.0	Clenche	<b>54</b>	517.200.09	Chien, monté
<b>17</b>	506.40.05.1	Goupille d'extracteur	<b>32</b>	517.200.31.0	Goupille		517.201.09	Chien, monté, Rail Gun
<b>18</b>	517.400.10.1	Ressort	<b>33</b>	517.200.09.0	Chien	<b>55</b>	517.600	Chargeur 12 coups
				517.201.09.0	Chien, Rail Gun			



**Colt 1911**  
pistola semiautomática  
Cal. .22 L.R.



GB  
DE  
F  
E  
IT



**⚠ ATENCIÓN:** POR FAVOR, LEA CUIDADOSAMENTE ESTAS INSTRUCCIONES DE USO ANTES DE PONER EN FUNCIONAMIENTO EL ARMA DE FUEGO POR PRIMERA VEZ.

**MADE BY CARL WALTHER**

MANUAL DE INSTRUCCIONES

## Observaciones importantes sobre el manejo de armas

Parta del hecho de que hasta el arma más segura puede hacerse peligrosa para usted y para otros por un manejo inadecuado. Familiarícese primeramente con el funcionamiento y el manejo del arma por medio del manual de instrucciones. Trate el arma descargada como si estuviera cargada.

**⚠ ATENCIÓN:** SIEMPRE TENGA PRESENTE: TENGA EL DEDO LEJOS DEL DISPARADOR, EXCEPTO EN CASO DE DISPARO INTENCIONADO. TENGA EL ARMA SIEMPRE DE MANERA QUE NO PONGA EN PELIGRO NI A VD., NI A LAS PERSONAS QUE LE RODEEN.

Nunca utilice violencia en el momento de manejar, desmontar y montar. La seguridad está garantizada únicamente mientras que el arma se encuentre en estado perfecto. Un manejo inadecuado y un mal mantenimiento pueden mermar el funcionamiento y la seguridad del arma.

Tenga presente que en caso de efectos exteriores, por ejemplo corrosión, caída abajo, etcétera, el arma tiene que ser revisada por un armero cualificado.

Intervenciones inadecuadas en el mecanismo, daños provocados por la violencia y modificaciones por terceros exoneran al fabricante de toda clase de derechos de garantía. Toda reforma u otros trabajos en el arma deberán efectuarse exclusivamente por armeros autorizados.

N°	Contenido	Page
	Elementos de mando	61
1	Instrucciones de seguridad	63 -64
2	Prueba de funcionamiento	65 - 66
3	Cargar la pistola	66 - 67
4	Disparar	68
5	Arma con el cargador vacío	69
6	Descargar	70
7	Solucionar fallos en el disparo	70
8	Ajuste del alza	71
9	Gold Cup	71
10	Desmontar	72
11	Limpieza	73
12	Almacenamiento	74
13	Reparación	74
14	Garantía	75 - 76
15	Datos técnicos	76
16	Variantes	77
17	Despiezado	78
17	Listado de piezas	79
	Contacto	dorso

**¡ATENCIÓN!** MANTENGA SIEMPRE ACTIVADO EL SEGURO MANUAL (POSICIÓN SAFE) HASTA QUE TENGA INTENCIÓN DE DISPARAR.

## 1.1 Seguro manual

POSICIÓN „SAFE“ - Gire la palanca del seguro hacia arriba (fig. 1).

POSICIÓN “FIRE” - Gire la palanca del seguro hacia abajo (fig. 2).

La palanca del seguro sólo puede colocarse en posición SAFE cuando el martillo está montado. El seguro manual bloquea el gatillo, el martillo y la corredera.

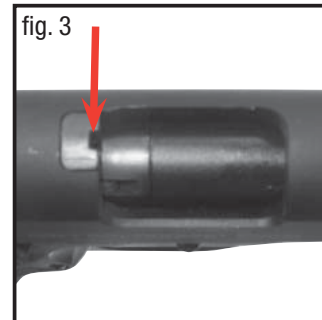
## 1.2 Seguro de la empuñadura

El seguro de la empuñadura bloquea el gatillo. Sólo si presiona el seguro de la empuñadura, con la mano que usa para disparar, en la empuñadura de la pistola se podrá accionar el gatillo y disparar.



### 1.3 Indicador de carga de la recámara

La escotadura en la parte superior de la corredera permite la inspección visual de la recámara para constatar si existe un cartucho en la misma (fig 3).



**⚠ ATENCIÓN:** TODOS LOS SEGUROS DE ESTA ARMA SON SEGUROS MECÁNICOS Y EL TIRADOR ES LA ÚNICA PERSONA QUE PUEDE ACTIVARLOS O DESACTIVARLOS. NUNCA CONFIE ÚNICAMENTE EN LOS SEGUROS MECÁNICOS - SEA EXTREMADAMENTE CUIDADOSO Y EVITE SITUACIONES QUE PUEDAN PROVOCAR UN ACCIDENTE.

**⚠ ATENCIÓN:** NO CONFIE ÚNICAMENTE EN LOS DISPOSITIVOS MECÁNICOS E INDICADORES DEL ARMA. SEA EXTREMADAMENTE CUIDADOSO. UTILICE PRÁCTICAS SEGURAS DE MANEJO DE ARMAS Y EVITE SITUACIONES QUE PUEDAN PROVOCAR UN ACCIDENTE.

**⚠ ATENCIÓN:** INSPECCIONE SIEMPRE LA RECÁMARA DE SU ARMA DE FUEGO DESPUÉS DE HABER EXTRAÍDO EL CARGADOR DEL ARMA. ASEGÚRESE DE QUE EN LA RECÁMARA NO SE ENCUENTRE NINGÚN PROYECTIL.



## 2 Prueba de funcionamiento

**⚠ ATENCIÓN:** ANTES DE CARGAR EL ARMA ASEGÚRESE DE QUE APUNTE EN UNA DIRECCIÓN SEGURA, TENGA ACTIVADO EL SEGURO Y ESTÉ DESCARGADA (SE HA RETIRADO EL CARGADOR; LA RECÁMARA ESTÁ VACÍA, EL CARTUCHO DE SEGURIDAD COLOCADO (ALETA AZUL), EL CAÑÓN NO PRESENTA OBSTRUCCIONES).

**⚠ ATENCIÓN:** NO PONGA NUNCA SU MANO DELANTE DE LA BOCA DEL CAÑÓN.

### Prueba de funcionamiento

1. Asegúrese de que la recámara y el cargador estén vacíos. Extraiga el cargador y tire de la corredera hacia atrás.  
Suelte la corredera para que pueda desplazarse completamente hacia delante en posición de cierre.
2. Introduzca el cargador vacío y tire de la corredera hacia atrás. La corredera deberá quedar retenida en la última posición trasera por medio de la palanca de retención de la corredera.
3. Extraiga el cargador, tire la corredera ligeramente hacia atrás y suéltela. Una vez liberada, la corredera se desliza completamente hacia delante en la posición de cierre.
4. Tome el arma de fuego con la mano que usa para disparar y apunte la boca del cañón en una dirección segura, pero no presione el seguro de la empuñadura en la empuñadura de la pistola. Intente accionar el gatillo. Este deberá estar enclavado.
5. Para desamartillar el arma asegúrese de que la recámara está vacía, presione el seguro de la empuñadura, con la mano que usa para disparar, en la empuñadura de la pistola, sujete el martillo con el dedo pulgar de su otra mano, accione el gatillo y deje deslizar el martillo lentamente hacia delante (fig. 4).

**⚠ ATENCIÓN:** MANTENGA EL ARMA SIEMPRE EN UNA DIRECCIÓN SEGURA CUANDO LA DESAMARTILLE. LA INOBSERVANCIA DE ESTA ADVERTENCIA PUEDE CAUSAR LESIONES GRAVES O INCLUSO LA MUERTE.

fig. 4



## 2.1 Prueba de funcionamiento tras el uso

**⚠ ATENCIÓN:** TRAS EL USO, ASEGÚRESE DE QUE EL ARMA ESTÉ DESCARGADA (RECÁMARA VACÍA, CAÑÓN LIBRE DE OBSTRUCCIONES) Y EL CARGADOR VACÍO. APUNTE LA BOCA DEL CAÑÓN EN UNA DIRECCIÓN SEGURA Y DESMONTE EL MARTILLO. COLOQUE EL CARTUCHO DE SEGURIDAD (ALETA AZUL).

## 3 Cargar la pistola

**⚠ ATENCIÓN:** ANTES DE CARGAR EL ARMA ASEGÚRESE SIEMPRE DE QUE APUNTE EN UNA DIRECCIÓN SEGURA Y ESTE DESCARGADA (SE HA RETIRADO EL CARGADOR; LA RECÁMARA ESTÁ VACÍA, EL CARTUCHO DE SEGURIDAD COLOCADO (ALETA AZUL), EL CAÑÓN NO PRESENTA OBSTRUCCIONES).

Presione el retén del cargador y extraiga el cargador vacío (fig. 5).

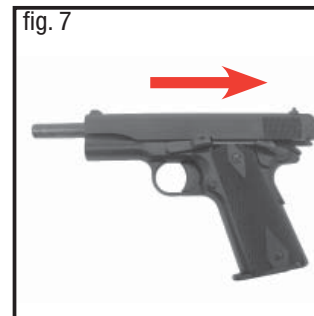
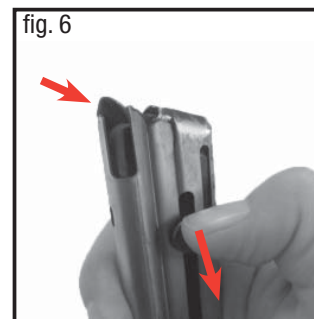
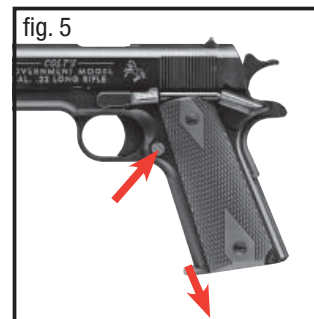
Use el botón lateral para desplazar el elevador hacia abajo e inserte el cartucho debajo de los labios del cargador (fig. 6). No lo fuerce. Quite el cartucho de seguridad (aleta azul). Inserte el cargador lleno hasta que el retén del cargador encaje. Después de introducir el cargador asegúrese siempre de que haya encajado de manera segura dando un golpe corto desde abajo en la base del cargador.

#### 4 Introducir el primer cartucho

Agarre la pistola con la mano que usa para disparar y apunte en una dirección segura. Con la otra mano, tire hacia atrás de la corredera y déjela deslizar hacia delante (fig.7). No ponga nunca su mano delante de la boca del cañón. El primer cartucho entrará en la recámara mientras que la corredera se desplaza hacia delante. Ahora el martillo está montado. Mantenga el seguro activado (posición SAFE) (fig.8) hasta que se disponga a disparar.

**⚠ ATENCIÓN:** NO PONGA NUNCA SU MANO DELANTE DE LA BOCA DEL CAÑÓN.

**⚠ ATENCIÓN:** PARA CARGAR UN CARTUCHO INTRODÚZCALO SIEMPRE EN LA RECÁMARA A TRAVÉS DEL CARGADOR. LA INOBSERVANCIA DE ESTA ADVERTENCIA PUEDE CAUSAR LESIONES GRAVES O INCLUSO LA MUERTE. NUNCA INTENTE CARGAR EL ARMA INTRODUCIENDO UN CARTUCHO POR LA VENTANA DE EXPULSIÓN ABIERTA.



**⚠ ATENCIÓN:** EL COLT 1911 CAL. .22 L.R. ESTÁ DISEÑADO DE MANERA QUE SE PUEDE DISPARAR UN CARTUCHO CUANDO EL CARGADOR SE HA EXTRAIDO DEL ARMA. POR ESTO, SI DESPUÉS DE RETIRAR EL CARGADOR TODAVÍA SE ENCUENTRA UN CARTUCHO EN LA RECÁMARA, SE PODRÁ DISPARAR UN PROYECTIL AL ACCIONAR EL GATILLO.

## 5 Disparar

El Colt 1911 es solo de acción simple.

- Apunte en una dirección segura y mantenga el dedo alejado del guardamonte, ponga el seguro en posición FIRE (fig. 8) y presione el seguro de la empuñadura en la empuñadura de la pistola. El arma está ahora lista para disparar.
- Tan pronto como el gatillo se tire completamente hacia atrás se libera el martillo y golpea contra el ignitor. Al disparar, la corredera se desliza hacia atrás extrayendo y expulsando el casquillo vacío y rotando el martillo en posición de amartillado.
- A continuación, la corredera se desliza hacia delante introduciendo el siguiente cartucho del cargador en la recámara. El martillo permanece montado de modo que los cartuchos siguientes se pueden disparar en modo de acción simple. Este procedimiento se puede repetir hasta que se dispare el último cartucho del cargador, entonces, el elevador del cargador presiona hacia arriba la palanca del retén de la corredera, el retén encaja en la corredera manteniendo así abierta ésta última.



**⚠ ATENCIÓN:** EL ARMA SE CUENTRA LISTA PARA DISPARAR. MANTENGA EL DEDO ALEJADO DEL GATILLO Y FUERA DEL GUARDAMONTE HASTA QUE VAYA A DISPARAR.

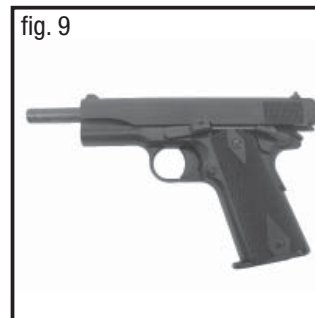
## 6 Pistola con el cargador vacío

Tras disparar el último cartucho, el retén mantiene la corredera abierta (fig. 9).

Seguir disparando - Sustituya el cargador vacío por uno lleno. Tire de la corredera hacia atrás y suéltela. El primer cartucho entrará en la recámara mientras que la corredera se desplaza hacia delante. Sujete el arma con la mano que utiliza para disparar. Mantenga el dedo alejado del gatillo y apunte hacia una dirección segura para evitar daños a otras personas.

Dejar de disparar - Extraiga el cargador y revise la recámara. Esta deberá estar vacía (fig. 20) Cierre la corredera y gire la palanca del seguro en la posición SAFE.

fig. 9



## 7 Descargar

Apunte la boca del cañón en una dirección segura. Retire el cargador. Tire de la corredera hacia atrás y asegúrese mediante una inspección visual de que la recámara esté vacía (fig.20). Introduzca el cartucho de seguridad (aleta azul) en la recámara vacía (fig. 21). Apunte el arma en una dirección segura. Presione el seguro de la empuñadura con la mano que usa para disparar en la empuñadura de la pistola, sujete el martillo con el dedo pulgar de su otra mano, accione el gatillo y deje deslizar el martillo lentamente hacia delante.



**ATENCIÓN:**

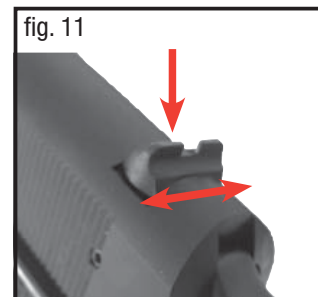
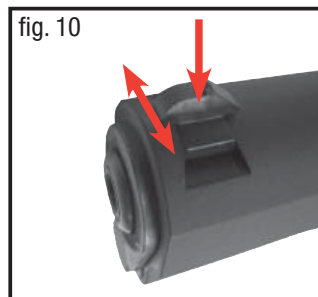
**MANTENGA EL ARMA SIEMPRE EN UNA DIRECCIÓN SEGURA CUANDO LA DESAMARTILLE. LA INOBSERVANCIA DE ESTA ADVERTENCIA PUEDE CAUSAR LESIONES GRAVES O INCLUSO LA MUERTE.**

## 8 Solucionar fallos en el disparo

- Si un cartucho falla al dispar, espere 30 segundos con la boca del arma apuntando en una dirección segura.
- Retire el cargador.
- Mantenga el dedo lejos del gatillo y del guardamonte.
- Agarre la corredera y tírela rápidamente hacia atrás hasta el tope para extraer el cartucho defectuoso. Asegúrese de que la recámara y el cañón estén libres de obstrucciones introduciendo una varilla de limpieza desde la boca del cañón hasta la ventana de expulsión. Nunca mire dentro del cañón desde el extremo de la boca del cañón.
- Asegúrese de que en el cañón no se encuentren cartuchos u obstáculo que obstruyan el mismo. Observe que: siempre que cierre la corredera mientras que en el arma se encuentre un cargador lleno, estará cargando el arma y, el arma esta lista para disparar.

## 9 Ajuste de la mira

La posición lateral del punto de impacto puede ajustarse tanto en el punto de mira como en la mira. Suelte el tornillo prisionero en el componente a ajustar y desplace el punto de mira / la mira hacia la derecha o izquierda (fig. 10-11).



### 9.1 Gold Cup

La altura se puede ajustar usando un tornillo, arriba, en la mira. El tornillo permite un ajuste de altura mediante ajuste por clic (fig. 12).

La pistola dispara muy alto: gire el tornillo en sentido horario  
La pistola dispara muy bajo: gire el tornillo en sentido antihorario.



La posición lateral del punto de impacto puede ajustarse usando un tornillo en la parte lateral de la mira. El tornillo permite un ajuste lateral mediante ajuste por clic (fig. 13):

Si la pistola dispara hacia la derecha: gire el tornillo en sentido antihorario.  
Si la pistola dispara hacia la izquierda: gire el tornillo en sentido horario



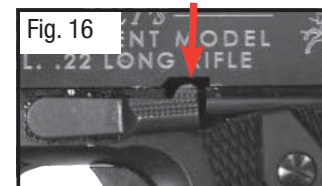
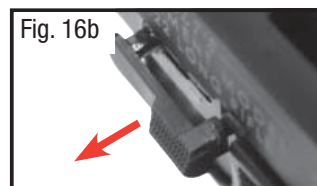
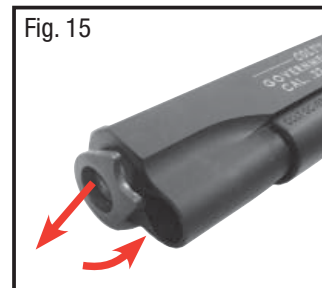
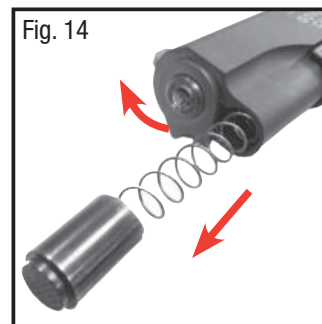
## 10 Desmontar

**⚠ ATENCIÓN:** SIGA FIELMENTE LAS INSTRUCCIONES DE DESMONTAJE. NO EFECTÚE NINGUNA OPERACIÓN MÁS ALLÁ DE LO QUE SE INDICA EXPRESAMENTE EN ESTE MANUAL. NUNCA MODIFIQUE NI CAMBIE LAS PIEZAS DEL ARMA.

**⚠ ATENCIÓN:** UTILICE UN PROTECTOR DE OJOS ESPECÍFICO PARA EL MANEJO, LA LIMPIEZA Y EL MANTENIMIENTO DEL ARMA.

**⚠ ATENCIÓN:** ANTES DE DESMONTAR EL ARMA, EXTRAIGA EL CARGADOR Y ASEGÚRESE DE QUE EL ARMA NO ESTÉ CARGADA.

Para quitar la corredera, presione hacia dentro el soporte del muelle y gire el manguito del cañón en sentido horario hacia el lado. Ahora se pueden extraer el soporte del muelle y el muelle recuperador (fig. 14). Gire el manguito del cañón 120° aproximadamente en sentido antihorario y extráigalo hacia delante (fig. 15). Tire hacia atrás la corredera, hasta que la palanca de retención de la corredera quede paralela a la muesca (fig. 16). Empuje el pasador al lado derecho con una herramienta (fig. 16a). Después podrá extraer lateralmente la palanca de retención de la corredera (fig. 16b). Tenga cuidado de que la palanca de retención de la corredera salga de forma recta. Ahora podrá tirar hacia atrás, levantar y quitar la corredera (fig. 17). El montaje se efectúa por orden inverso.





## 11 Limpieza

Limpie y mantenga regularmente su arma para garantizar su buen funcionamiento y alargar su vida útil.

**⚠ ATENCIÓN:** ANTES DE LIMPIAR EL ARMA ASEGÚRESE DE QUE APUNTE EN UNA DIRECCIÓN SEGURA, EL SEGURO ESTÉ ACTIVADO Y ESTÉ DESCARGADA (SE HA RETIRADO EL CARGADOR, LA RECÁMARA ESTÁ VACÍA, EL CARTUCHO DE SEGURIDAD COLOCADO (ALETA AZUL), EL CAÑÓN NO PRESENTA OBSTRUCCIONES).

- Asegúrese de que el seguro de la empuñadura no esté hundido en la empuñadura de la pistola.
- Introduzca un cargador VACÍO y tire hacia atrás la corredera hasta que ésta permanezca en posición abierta.
- Retire el cargador.
- Inspeccione, mediante prueba visual, que no se encuentra munición en el arma.
- Quite la corredera como se describe en el capítulo 10 (Desmontar).
- Retire la suciedad de la corredera, los labios del cargador, el elevador y la empuñadura usando cepillo y trapo (fig. 18 - 19).
- Limpie el cañón con producto de limpieza para el cañón y un cepillo. A continuación, séquelo con parches de limpieza empezando siempre por la recámara. Repita esta acción hasta que el cañón quede limpio.
- Aplique una fina película de aceite a las partes metálicas. Vuelva a ensamblar el arma y realice una prueba de funcionamiento.

fig. 18

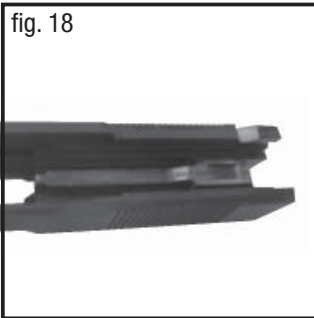
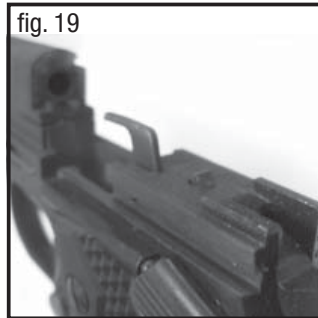


fig. 19



## 12 Almacenamiento

Siempre que almacene y guarde su arma de fuego, esta deberá estar descargada.

Mantenga el arma y la munición fuera del alcance de los niños y personas no autorizadas. Las armas de fuego deben guardarse siempre separadas de la munición. Guarde siempre el arma con el cartucho de seguridad (aleta azul) dentro de la recámara, para asegurarse de que no haya ningún cartucho cargado (fig. 21).

**⚠ ATENCIÓN:** NUNCA DEJE DESATENDIDA UN ARMA CARGADA.

## 13 Reparación

En caso de productos defectuosos o dañados, póngase en contacto con su distribuidor o con el departamento de Servicio técnico de WALTHER.



Carl WALTHER GmbH

### Service

Postfach 4325

D - 89033 Ulm

Im Lehrer Feld 1

D - 89081 Ulm

Tel. +49 (0)731 / 15 39 0

Fax +49 (0)731 / 15 39 109

**⚠ ATENCIÓN:** LAS TAREAS DE REVISIÓN Y REPARACIÓN DEL ARMA DEBEN SER EFECTUADAS POR UN ARMERO AUTORIZADO Y CUALIFICADO

fig. 20

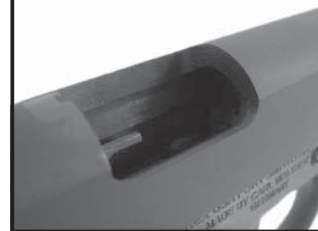


fig. 21



## 14 Garantía

Durante los dos primeros años después de la compra, WALTHER reparará o sustituirá el arma defectuosa sin coste alguno siempre y cuando el defecto no sea producto de la negligencia o el uso indebido.

La garantía de WALTHER cubre defectos de material y fabricación. Cualquiera de estos defectos notificados por escrito a la empresa WALTHER por el comprador original, dentro de un período de dos años a partir de la fecha de compra y tras la recepción del arma, bajo las condiciones arriba mencionadas, serán corregidos sin coste alguno dentro de los plazos de tiempo habituales.

Las reclamaciones de garantía (por escrito) y las armas de fuego correspondientes deben enviarse al servicio de garantía de WALTHER en su embalaje original, o en un contenedor seguro similar, adjuntando una copia del ticket de compra con el nombre del propietario y la fecha de compra bien visible.

**⚠ ATENCIÓN:** **IMPORTANTE:** AL TRANSPORTAR UN ARMA DE FUEGO, ASEGÚRESE DE QUE ESTÁ DESCARGADA Y DE QUE EL SEGURO ESTÁ ACTIVADO.

En las reclamaciones de garantía será necesario indicar el modelo y número de serie del arma en cuestión y la descripción del problema. Es recomendable que el remitente asegure el envío, dado que WALTHER no se hará responsable de las pérdidas o daños sufridos durante el transporte. Los gastos de transporte y seguro del envío de vuelta correrán a cargo de WALTHER si la garantía cubre efectivamente la reclamación.

ESTA GARANTÍA ES LIMITADA Y SUSTITUYE A CUALQUIER OTRA GARANTÍA, YA SEA EXPRESA O IMPLÍCITA.

WALTHER NO OTORGA NINGUNA GARANTÍA IMPLÍCITA DE COMERCIABILIDAD O IDONEIDAD PARA UN FIN ESPECÍFICO NI SE HACE RESPONSABLE DEL INCUMPLIMIENTO DE NINGUNA GARANTÍA IMPLÍCITA O CREADA POR LA LEY.

WALTHER NO SERÁ RESPONSABLE EN NINGÚN CASO DE LOS DAÑOS INCIDENTALES O CONSECUENTES RELATIVOS A PÉRDIDAS ECONÓMICAS, DAÑOS A LA PROPIEDAD, LESIONES O MUERTES, YA SEA COMO RESULTADO DEL INCUMPLIMIENTO DE ESTA GARANTÍA, NEGLIGENCIA O CUALQUIER OTRA CIRCUNSTANCIA. Algunos Estados no permiten la exclusión o limitación de daños secundarios o debidos al uso, de modo que la limitación o exclusión detallada más arriba podría no ser aplicable en su caso.

WALTHER no se responsabiliza de:

- Defectos o fallos de funcionamiento derivados del manejo inadecuado, de los ajustes no autorizados realizados por cualquiera que no sea un armero cualificado siguiendo los procedimientos autorizados por WALTHER o de un desmontaje que vaya más allá de lo especificado en las instrucciones de desmontaje de este manual.
- Uso de munición defectuosa o inadecuada, corrosión, negligencia, falta de mantenimiento, mal uso, desgaste ordinario o utilización indebida.
- Uso criminal, negligencia, reventa o uso bajo la influencia del alcohol o las drogas.

WALTHER se reserva el derecho a determinar qué constituye el desgaste ordinario. Esta garantía le concede derechos legales específicos. Es posible que posea otros derechos, que pueden variar en función del estado. Nota: Walther rechaza toda responsabilidad en caso de que no se sigan las instrucciones de este manual.

DIRECCIÓN DE CONTACTO Y ENVÍO



Carl WALTHER GmbH

**Service**

Postfach 4325                      D - 89033 Ulm  
 Im Lehrer Feld 1                D - 89081 Ulm  
 Tel. +49 (0) 731 / 15 39 0      Fax +49 (0) 731 / 15 39 109

**15 Datos técnicos**

Modelo	Government	Gold Cup	Rail Gun
Calibre	.22 l.r.		
Tipo de bloqueo	blowback		
Gatillo	Acción simple		
Capacidad del cargador	12 disparos		
Dimensiones (l/a/a)	220 / 140 / 35 mm	225 / 140 / 35 mm	
Longitud del cañón	127 mm		
Arma con el cargador vacío	930 g	940 g	950 g

## 16 Variantes

### COLT GOVERNMENT®

- Empuñadura de metal
- Palanca de seguro estándar
- Seguro de la empuñadura estándar



### COLT RAIL GUN®

- Empuñadura de metal
- Guía tipo Picatinny
- Corredera con acanaladuras delante y atrás
- Martillo delgado
- Gatillo delgado
- Palanca del seguro alargada
- Seguro de empuñadura de „cola de castor“ (Beavertail) alargado

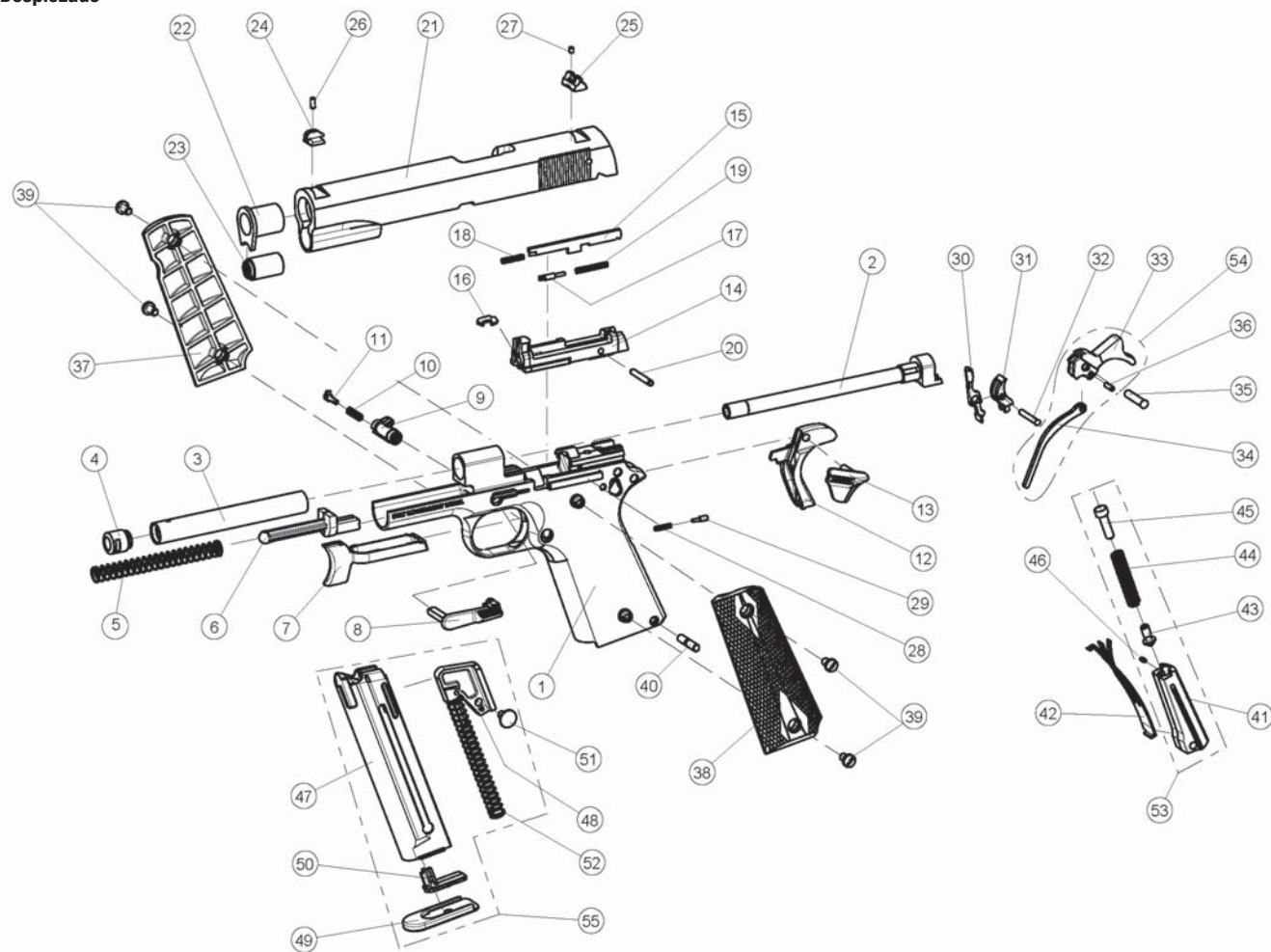


### COLT GOLD CUP®

- Empuñadura de metal
- Martillo delgado
- Gatillo delgado
- Target Sight ajustable
- Seguro de empuñadura de „cola de castor“ (Beavertail) alargado

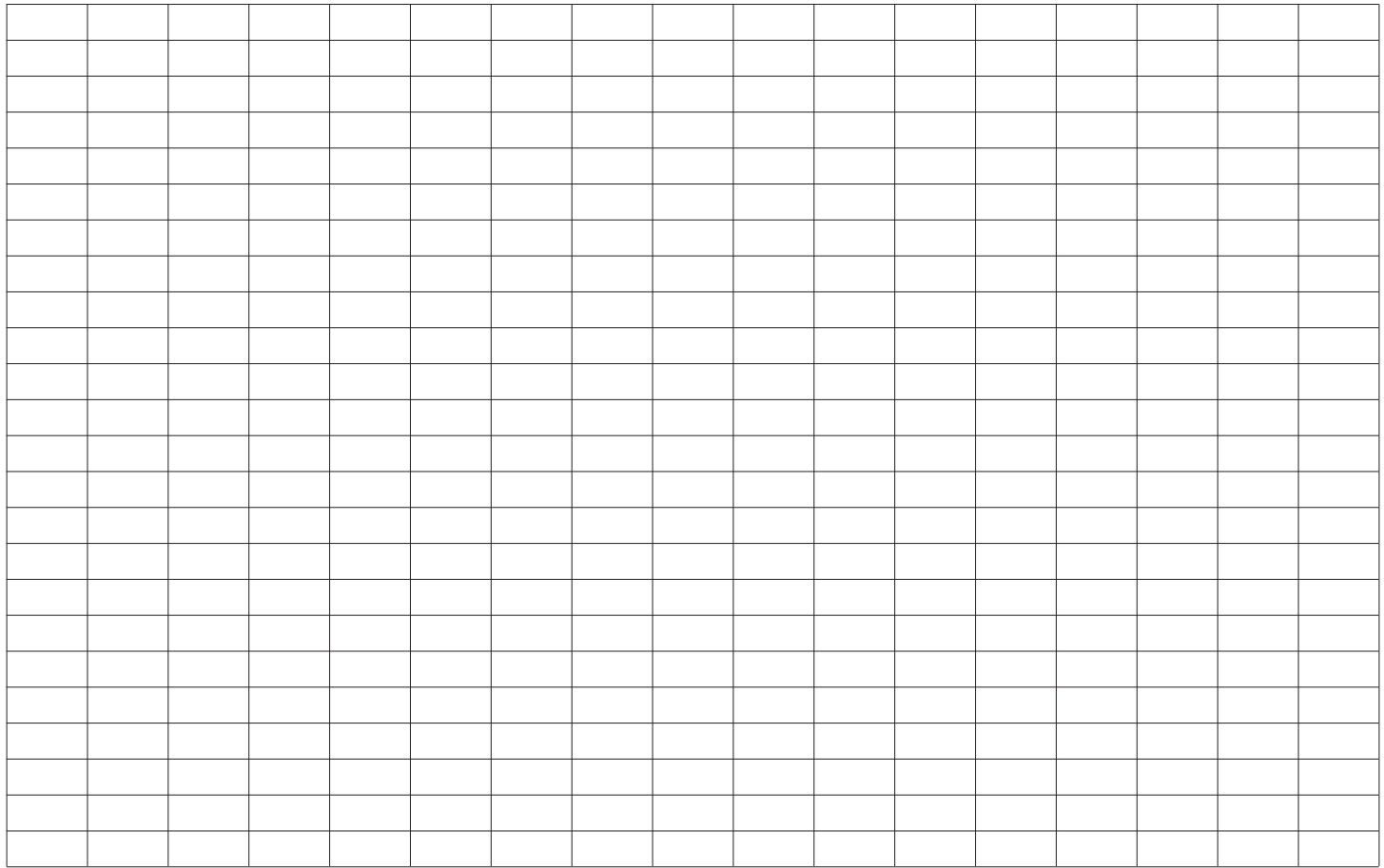


17 Despieceado / Lista de piezas  
17.1 Despieceado



## 17.2 Lista de piezas

<b>1</b>	517.200.01	Empuñadura	<b>19</b>	512.40.20.1	Muelle	<b>34</b>	517.200.10.0	Barra del martillo
	517.201.01	Empuñadura, Rail Gun	<b>20</b>	512.20.26.3	Espiga posicionadora	<b>35</b>	517.200.28.0	Pasador
	517.202.01	Empuñadura, Gold Cup	<b>21</b>	517.400.01.0	Corredera	<b>36</b>	517.200.11.3	Pasador
<b>2</b>	517.500.01	Cañón		517.401.01.0	Corredera, Rail Gun	<b>37</b>	517.200.16.1	Cachas, derecha
<b>3</b>	512.51.02.0	Camisa del cañón		517.402.01.0	Corredera, Gold Cup	<b>38</b>	517.200.15.1	Cachas, izquierda
<b>4</b>	512.50.04	Tuerca del cañón	<b>22</b>	517.400.04.0	Manguito del cañón	<b>39</b>	517.200.30.0	Tornillo de las cachas
<b>5</b>	517.400.07.1	Resorte recuperador	<b>23</b>	517.400.05.0	Soporte del resorte recuperador	<b>40</b>	517.200.29.0	Pasador
<b>6</b>	517.200.27.0	Guía del resorte recuperador	<b>24</b>	517.700.01.0	Punto de mira	<b>41</b>	517.200.02.0	Caja del resorte del percutor
<b>7</b>	517.200.07.0	Gatillo		517.701.01	Punto de mira, Rail Gun, montado	<b>42</b>	517.200.17.0	Resorte, trinquete
	517.201.07.0	Gatillo, Rail Gun		517.702.01	Punto de mira, Gold Cup, montado	<b>43</b>	517.200.03.1	Perno, retén
<b>8</b>	517.200.23	Retén de la corredera	<b>25</b>	517.700.02.0	Alza	<b>44</b>	318.203.19.1	Resorte del percutor
<b>9</b>	517.200.24.0	Retén del cargador		517.701.02	Alza, Rail Gun, montado	<b>45</b>	517.200.04.1	Perno, resorte del percutor
<b>10</b>	517.200.26.1	Resorte		517.702.02	Alza, Gold Cup, montado	<b>46</b>	517.200.06.3	Espiga posicionadora
<b>11</b>	517.200.25.0	Perno fijador retén del cargador	<b>26</b>	517.701.04.1	Espárrago roscado	<b>47</b>	517.600.01.0	Caja del cargador
<b>12</b>	517.200.14.0	Seguro de la empuñadura	<b>27</b>	507.700.05.1	Espárrago roscado	<b>48</b>	517.600.04.1	Elevador
	517.201.14.0	Seguro de la empuñadura, Rail Gun		517.701.05.1	Espárrago roscado, Rail Gun	<b>49</b>	517.600.02.1	Base del cargador
<b>13</b>	517.200.21.0	Palanca del seguro		517.702.03.1	Espárrago roscado, Gold Cup	<b>50</b>	517.600.03.1	Soporte de la base del cargador
	517.201.21.0	Palanca del seguro, Rail Gun	<b>28</b>	517.200.19.1	Muelle	<b>51</b>	517.600.05.0	Botón del cargador
<b>14</b>	517.400.02.0	Grupo obturador	<b>29</b>	517.200.18.0	Perno fijador, palanca del seguro	<b>52</b>	570.60.04.1	Resorte del cargador
<b>15</b>	517.400.08.0	Ignitor	<b>30</b>	517.200.13.0	Ruptor	<b>53</b>	517.200.02	Caja del resorte del percutor, montado
<b>16</b>	517.400.03.0	Extractor	<b>31</b>	517.200.12.0	Trinquete	<b>54</b>	517.200.09	Martillo, montado
<b>17</b>	506.40.05.1	Perno del extractor	<b>32</b>	517.200.31.0	Pasador		517.201.09	Martillo, montado, Rail Gun
<b>18</b>	517.400.10.1	Muelle	<b>33</b>	517.200.09.0	Martillo	<b>55</b>	517.600	Cargador de 12 disparos
				517.201.09.0	Marillo, Rail Gun			

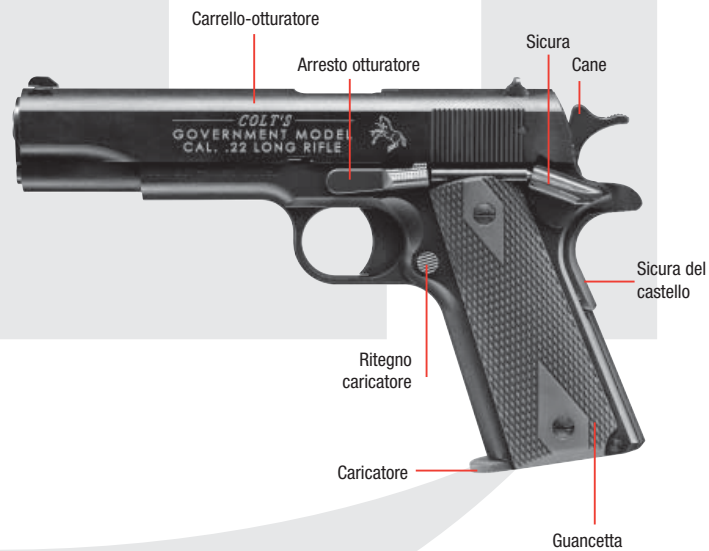




**Colt 1911**  
pistola semiautomatica  
Cal. .22 L.R.



GB  
DE  
FR  
ES  
IT



**ATTENZIONE:** PRIMA DI USARE L'ARMA LEGGETE ACCURATAMENTE LE ISTRUZIONI PER L'USO E LE AVVERTENZE QUI DI SEGUITO RIPORTATE.

**MADE BY CARL WALTHER**

ISTRUZIONI PER L'USO

## Norme di sicurezza relative all'uso di armi da fuoco

Anche l'arma più sicura può essere potenziale causa di gravi pericoli se maneggiata non correttamente. Prima di usare l'arma occorre quindi studiare a fondo il contenuto delle presenti istruzioni per l'uso per afferrare completamente il funzionamento dell'arma. Maneggiare l'arma scarica con estrema cautela come se fosse carica.

 **ATTENZIONE:** **Siempre tenga presente:**  
Tenere le dita lontane dal grilletto sino al momento del voluto sparo. Non puntare mai l'arma contro una persona oppure in una direzione che non sia sicura.

Maneggiare, smontare e montare l'arma senza esercitare forza per mantenerla in piena efficienza nel tempo ed evitare eventuali danni e pericoli.

L'uso e la manutenzione non appropriati dell'arma ne possono compromettere la corretta funzionalità e la sicurezza d'uso. In caso di eventuale caduta dell'arma o in caso di effetti atmosferici (corrosione ecc.) occorre rivolgersi ad un esperto per una verifica scrupolosa dell'arma.

Interventi non appropriati sui meccanismi dell'arma, danni dovuti all'uso di forza o modifiche eseguite da parte di terzi liberano il costruttore da tutti gli impegni di garanzia. Eventuali interventi sulle armi da fuoco devono essere eseguiti esclusivamente da specialisti autorizzati.

No.	Contenuto	Pagina
	Descrizione	81
1	Indicazioni di sicurezza	83 - 84
2	Controllo funzionale	85 - 86
3	Caricamento dell'arma	86 - 87
4	Tiro	88
5	Arma con caricatore vuoto	89
6	Scaricamento	90
7	Rimozione di colpi mancati	90
8	Regolazione della tacca di mira	91
9	Gold Cup	91
10	Scomposizione	92
11	Pulizia	93
12	Custodia	94
13	Riparazione	94
14	Garanzia	95 - 96
15	Specifiche tecniche	96
16	Varianti	97
17	Disegno esploso	98
17	Distinta base	99
	Contatto	Retro

**ATTENZIONE:** LASCIATE LA SICURA SEMPRE IN POSIZIONE „SAFE“, SALVO QUANDO INTENDETE SPARARE IL COLPO.

## 1.1 Sicura manuale

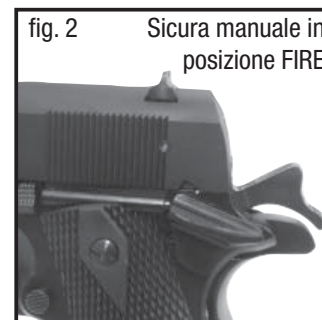
POSIZIONE “SAFE” - ruotare in alto la leva della sicura (Fig. 1).

POSIZIONE “FIRE” - ruotare in basso la leva della sicura (Fig. 2).

La leva della sicura può essere ruotata in posizione „SAFE“ soltanto quando il cane è armato. La sicura manuale blocca il grilletto, il cane e l'otturatore.

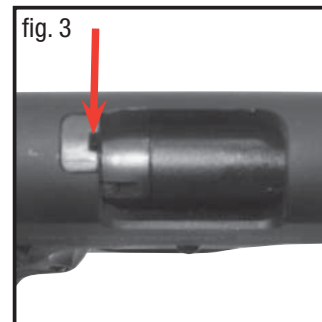
## 1.2 Sicura del castello

La sicura del castello blocca il grilletto. Solo dopo aver inserito la sicura del castello con la mano che spara, si può premere il grilletto e far partire il colpo.



### 1.3 Indicatore di carica

L'apertura nella parte superiore del carrello-otturatore consente di controllare se una cartuccia si trova in camera (Fig. 3).



**ATTENZIONE:** TUTTE LE SICURE DELL'ARMA SONO SICURE MECCANICHE. QUESTE SICURE POSSONO ESSERE ATTIVATE E DISATTIVATE UNICAMENTE DALL'UTILIZZATORE. NON FIDATEVI MAI SOLTANTO DELLE SICURE MECCANICHE – PRESTATE SEMPRE LA MASSIMA PRUDENZA ED EVITATE SITUAZIONI CHE POTREBBERO COMPORTARE SERI RISCHI O INCIDENTI.

**ATTENZIONE:** NON FIDATEVI MAI UNICAMENTE DELLE SICURE MECCANICHE E DEGLI INDICATORI – PRESTATE SEMPRE LA MASSIMA ATTENZIONE. MANEGGIATE SEMPRE L'ARMA IN MODO SICURO ED EVITATE SITUAZIONI CHE POTREBBERO CONDURRE A INCIDENTI O FERITE MORTALI.

**ATTENZIONE:** CONTROLLATE SEMPRE LA CAMERA DI CARTUCCIA QUANDO AVETE ESTRATTO IL CARICATORE DALL'ARMA. ASSICURATEVI CHE NELLA CAMERA NON VI SIANO CARTUCCE.

## 2 Controllo funzionale

**⚠ ATTENZIONE:** PRIMA DI CARICARE L'ARMA, ASSICURATEVI CHE LA VOLATA SIA RIVOLTA IN UNA DIREZIONE SICURA, CHE LA SICURA MANUALE SIA ATTIVATA E CHE L'ARMA SIA SCARICA (CARICATORE RIMOSSO, CAMERA DI CARTUCCIA VUOTA, CARTUCCIA DI SICUREZZA (SIMULATORE) INSTALLATA, CANNA LIBERA).

**⚠ ATTENZIONE:** NON TENETE MAI LA MANO DAVANTI ALLA VOLATA.

### Controllo funzionale

1. Assicurarsi che la camera di cartuccia e il caricatore siano vuoti. Rimuovere il caricatore e tirare indietro l'otturatore.

Lasciare libero l'otturatore affinché possa ritornare completamente in avanti in posizione chiusa.

2. Inserire il caricatore vuoto e tirare indietro l'otturatore. L'otturatore è bloccato nella posizione più arretrata tramite l'apposita leva d'arresto.

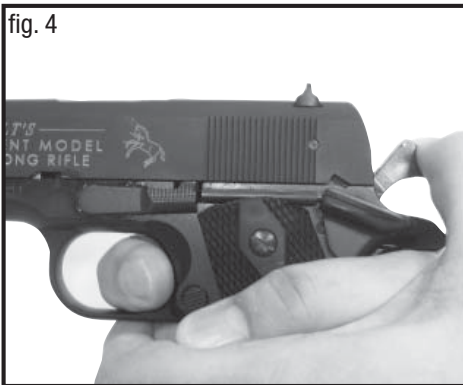
3. Rimuovere il caricatore, tirare leggermente indietro l'otturatore e lasciarlo libero. Una volta lasciato libero l'otturatore, esso può spostarsi completamente in avanti in posizione chiusa.

4. Impugnare l'arma con la mano che spara e rivolgere la volata in una direzione sicura, ma senza inserire la sicura del castello. Cercare di premere il grilletto, che deve risultare bloccato.

5. Per disarmare la pistola, assicurarsi che la camera di cartuccia sia vuota, inserire la sicura del castello con la mano che spara, tenere fermo il cane con il pollice dell'altra mano, azionare il grilletto e fare in modo che il cane possa spostarsi lentamente in avanti (Fig. 4).

**⚠ ATTENZIONE:** TENETE L'ARMA PUNTATA IN UNA DIREZIONE SICURA MENTRE LA DISARMATE. LA MANCATA OSSERVANZA DELLA SUDETTA AVVERTENZA PUÒ COMPORTARE GRAVI LESIONI O, ADDIRITTURA, ESSERE LETALE.

fig. 4



## 2.1 Controllo funzionale dopo l'uso

**! ATTENZIONE:** ASSICURATEVI CHE L'ARMA SIA SCARICA (CAMERA DI CARTUCCIA VUOTA, CANNA LIBERA DA OSTACOLI, CARICATORE VUOTO)! PUNTATE LA VOLATA IN UNA DIREZIONE SICURA. INSTALLATE LA CARTUCCIA DI SICUREZZA (SIMULATORE).

## 3 Caricamento dell'arma

**! ATTENZIONE:** PRIMA DI CARICARE L'ARMA, ASSICURATEVI SEMPRE CHE SIA RIVOLTA IN UNA DIREZIONE SICURA E SCARICA (CARICATORE RIMOSSO, CAMERA DI CARTUCCIA VUOTA, CARTUCCIA DI SICUREZZA (SIMULATORE) INSTALLATA, CANNA LIBERA).

Premere il ritegno del caricatore e rimuovere il caricatore vuoto (Fig. 5).

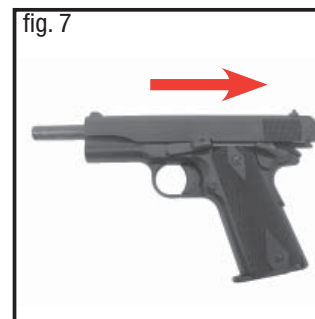
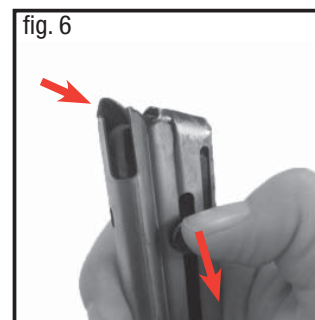
Utilizzare il pulsante laterale per spostare l'elevatore verso il basso e introdurre la cartuccia facendola passare sotto le labbra del caricatore (Fig. 6). Non utilizzare forza eccessiva. Rimuovere la cartuccia di sicurezza (simulatore). Inserire il caricatore pieno, fino a che il ritegno del caricatore si innesta in posizione. Dopo aver inserito il caricatore, verificare sempre che sia innestato in modo sicuro: Per far ciò, applicare un breve colpo sul fondo del caricatore.

#### 4 Inserimento della prima cartuccia

Impugnare l'arma con la mano che spara e rivolgere la volata in una direzione sicura. Tirare indietro l'otturatore con l'altra mano e lasciarlo ritornare in posizione anteriore (Fig. 7). Non tenere mai la mano davanti alla volata. Mentre l'otturatore esegue la propria corsa in avanti, esso apporta la prima cartuccia alla camera di cartuccia. Ora il cane è armato. Lasciare la sicura nella posizione "SAFE", fino a che non si è pronti a sparare.

**⚠ ATTENZIONE:** NON TENETE MAI LA MANO DAVANTI ALLA VOLATA.

**⚠ ATTENZIONE:** CARICATE UNA CARTUCCIA FACENDOLA INTRODURRE IN CAMERA ATTRAVERSO IL CARICATORE. LA MANCATA OSSERVANZA DELLA SUDETTA AVVERTENZA PUÒ COMPORTARE GRAVI LESIONI O, ADDIRITTURA, ESSERE LETALE. NON TENTATE MAI DI CARICARE L'ARMA ATTRAVERSO LA FINESTRA D'ESPULSIONE DELLE CARTUCCE VUOTE.



**! ATTENZIONE:** CON LA PISTOLA COLT 1911 CAL. .22 L.R. È POSSIBILE FARE PARTIRE UN COLPO ANCHE QUANDO NELL'ARMA NON È INSERITO UN CARICATORE. SE DOPO LA RIMOZIONE DEL CARICATORE NELL'ARMA SI TROVA ANCORA UNA CARTUCCIA CARICA, IL COLPO PUÒ ESSERE FATTO PARTIRE PREMENDO IL GRILLETTO.

## 5 Tiro

La pistola Colt 1911 è dotata dello scatto Single Action Only.

- Puntare in una direzione sicura, tenere il dito al di fuori della guardia del grilletto, ruotare la leva della sicura manuale in posizione „FIRE“ (Fig. 8) e inserire la sicura del castello. L'arma è ora pronta al fuoco.
- Non appena il grilletto è stato tirato completamente indietro, il cane è libero e si abbatte per colpire l'innesco della cartuccia. Durante il tiro l'otturatore si sposta indietro, estrae la cartuccia vuota che poi viene espulsa, mentre in cane passa in posizione armata.
- Fatto ciò, l'otturatore si muove in avanti e alimenta la camera di cartuccia con la prossima cartuccia prelevata dal caricatore. Il cane rimane nella posizione d'armamento, cosicché i tiri successivi possono essere fatti partire tramite lo scatto Single Action. Questa azione può essere ripetuta fino allo sparo dell'ultima cartuccia contenuta nel caricatore, dopodiché l'elevatore provvede a spostare verso l'alto la leva d'arresto otturatore che a sua volta s'innesta nel carrello-otturatore stesso mantenendolo in posizione aperta.



**! ATTENZIONE:** LA VOSTRA ARMA È ORA PRONTA AL FUOCO. TENETE IL DITO LONTANO DAL GRILLETTO E AL DI FUORI DELLA GUARDIA DEL GRILLETTO, FINO A CHE NON SIATE PRONTI A SPARARE.



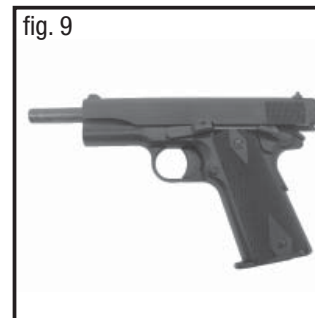
## 6 Arma con caricatore vuoto

Dopo l'ultimo colpo tirato, l'arresto dell'otturatore mantiene il carrello-otturatore in posizione aperta (Fig. 9).

Proseguire a sparare - Sostituire il caricatore vuoto con uno pieno. Tirare indietro l'otturatore e lasciarlo libero. Mentre l'otturatore esegue la propria corsa in avanti, esso apporta la prima cartuccia alla camera di cartuccia. Impugnare l'arma con la mano che spara. Il dito non si trova sul grilletto, e l'arma è orientata in una direzione sicura per non mettere in pericolo altre persone.

Smettere di sparare - Rimuovere il caricatore dall'arma e controllare la camera di cartuccia. La camera di cartuccia deve essere vuota (Fig. 20). Chiudere l'otturatore e ruotare la leva della sicura in posizione SAFE.

fig. 9



## 7 Scaricamento

Puntare la volata in una direzione sicura. Rimuovere il caricatore. Tirare indietro l'otturatore e controllare a vista che la camera di cartuccia sia vuota (Fig. 20). Inserire la cartuccia di sicurezza (simulatore) nella camera di cartuccia (Fig. 21). Tenere l'arma puntata in una direzione sicura. Inserire la sicura del castello con la mano che spara, tenere fermo il cane con il pollice dell'altra mano, azionare il grilletto e far spostare il cane lentamente in avanti.



### **ATTENZIONE:**

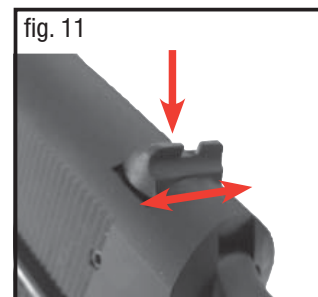
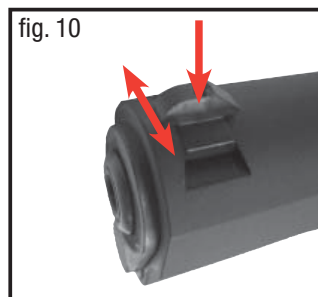
**TENETE L'ARMA PUNTATA IN UNA DIREZIONE SICURA MENTRE LA DISARMATE. LA MANCATA OSSERVANZA DELLA SUDETTA AVVERTENZA PUÒ COMPORTARE GRAVI LESIONI O, ADDIRITTURA, ESSERE LETALE.**

## 8 Rimozione di colpi mancati

- Se una cartuccia non esplose, attendere 30 secondi, mantenendo sempre la volata in una direzione sicura.
- Rimuovere il caricatore.
- Tenere il dito lontano dal grilletto e all'esterno della guardia del grilletto.
- Impugnare l'otturatore e tirarlo rapidamente indietro, fino all'arresto, per espellere la cartuccia danneggiata. Inserire una bacchetta di pulizia procedendo dalla volata fino alla finestra d'espulsione per assicurarsi che la camera di cartuccia e la canna siano prive di ostruzioni. Non controllare mai la canna ispezionandola attraverso la volata.
- Assicurarsi che nella canna non vi siano ne cartucce ne altri ostacoli. Tenere sempre presente: quando si chiude il carrello-otturatore mentre nell'arma si trova un magazzino pieno, l'arma viene caricata ed è pronta a sparare.

## 9 Regolazione del dispositivo di mira

La correzione della posizione laterale del punto d'impatto può essere operata sia tramite il mirino che tramite la tacca di mira. Allentare a tale scopo il perno filettato sul componente da regolare e spostare quest'ultimo verso destra o sinistra (Fig. 10 - 11).



### 9.1 Gold Cup

La correzione dell'altezza del punto d'impatto può essere operata tramite una vite prevista al di sopra della tacca di mira. La vite consente la correzione dell'altezza tramite una regolazione a scatto (Fig. 12):

Il colpo tira in alto:

ruotare la vite in senso orario

Il colpo tira in basso:

ruotare la vite in senso antiorario



La correzione della posizione laterale del punto d'impatto avviene per mezzo di una vite disposta al lato della tacca di mira. La vite consente la correzione dell'altezza tramite una regolazione a scatto (Fig. 13):

Il colpo tira a destra:

ruotare la vite in senso antiorario

Il colpo tira a sinistra:

ruotare la vite in senso orario



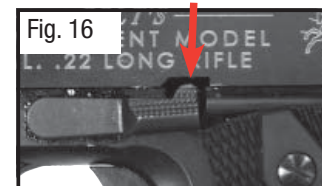
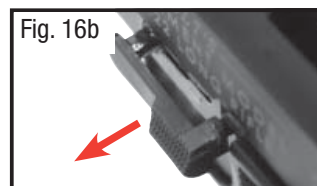
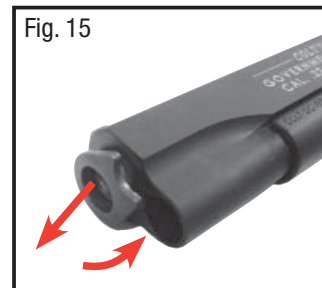
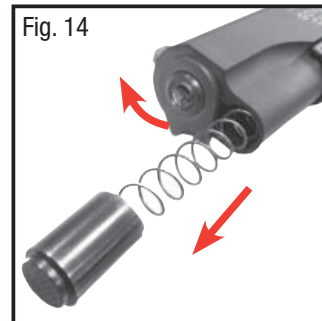
## 10 Scomposizione

**ATTENZIONE:** OSSERVATE PRECISAMENTE LE ISTRUZIONI DI SCOMPOSIZIONE DELL'ARMA. ASTENETEVI DI QUALSIASI AZIONE CHE VA OLTRE QUANTO SPECIFICAMENTE INDICATO NEL PRESENTE MANUALE. NON MODIFICATE O ALTERATE MAI ALCUN COMPONENTE DELLA VOSTRA ARMA.

**ATTENZIONE:** INDOSSATE SEMPRE DEGLI OCCHIALI PROTETTIVI IDONEI PER IL MANEGGIO DELLE ARMI, ANCHE DURANTE LE OPERAZIONI DI PULIZIA E MANUTENZIONE.

**ATTENZIONE:** PRIMA DI SCOMPORRE L'ARMA, ATTIVATE LA SICURA, RIMUOVETE IL CARICATORE E ASSICURATEVI CHE L'ARMA NON SIA CARICA.

Per rimuovere l'otturatore, premete a fondo l'alloggiamento molla e ruotare il portacanna in direzione laterale, in senso orario. Ora si possono rimuovere l'alloggiamento molla e la molla di recupero (Fig. 14). Ruotare il portacanna di circa 120° in senso antiorario e asportatelo procedendo in avanti (Fig. 15). Tirare indietro l'otturatore fino a che la leva d'arresto e l'incastro vengono a trovarsi in posizione parallela (Fig. 16). Sul lato destro, far uscire il perno con un attrezzo appuntito (Fig. 16a). A questo punto si può estrarre lateralmente la leva d'arresto (Fig. 16b). Badare a far uscire la leva d'arresto dell'otturatore in modo dritto. Ora l'otturatore può essere tirato indietro, sollevato in alto e asportato procedendo in avanti (Fig. 17). Il rimontaggio avviene nell'ordine inverso.

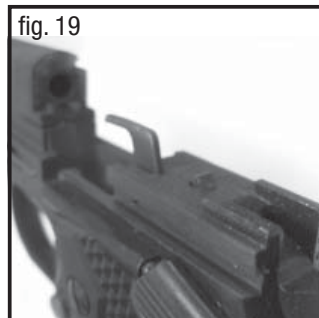
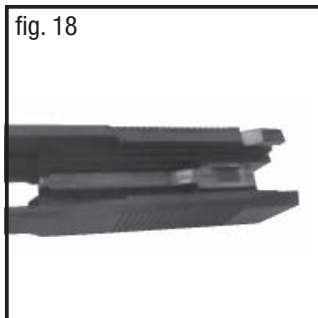


## 11 Pulizia

Per mantenere funzionante l'arma e prolungarne la durata di vita essa dovrebbe essere sottoposta a pulizia e manutenzione ad intervalli regolari.

**! ATTENZIONE:** PRIMA DI PULIRE L'ARMA, ASSICURATEVI CHE LA VOLATA SIA RIVOLTA IN UNA DIREZIONE SICURA, CHE LA SICURA MANUALE SIA ATTIVATA E CHE L'ARMA SIA SCARICA (CARICATORE RIMOSSO, CAMERA DI CARTUCCIA VUOTA, CARTUCCIA DI SICUREZZA (SIMULATORE) INSTALLATA, CANNA LIBERA).

- Assicurarsi che la sicura del castello non è stata inserita.
- Inserire un caricatore VUOTO e tirare indietro l'otturatore fino al punto di mantenerlo fermo in posizione aperta.
- Rimuovere il caricatore.
- Assicurarsi, con un controllo a vista, che le varie parti dell'arma siano prive di munizioni.
- Rimuovere il carrello otturatore come descritto al capitolo 10 (Scomposizione).
- Rimuovere con una spazzola e con un panno i residui di sparo dall'otturatore, dalle labbra del caricatore, dall'elevatore e dal castello (Fig. 18 - 19).
- Ripulire la canna con un solvente per canne idoneo e con una spazzola. Asciugare la canna con pezze detergenti cominciando sempre dal lato della camera di cartuccia. Ripetere l'operazione finché la canna non è pulita.
- Applicare un sottile velo d'olio su tutte le parti metalliche. Ricomporre l'arma ed eseguire una prova funzionale.



## 12 Custodia

Custodire e conservare l'arma sempre in condizioni disarmate. Mantenere l'arma e le munizioni sempre al di fuori dalla portata di bambini e di persone non autorizzate. L'arma e le munizioni devono essere sempre conservate in luoghi separati. Conservare l'arma sempre con cartuccia di sicurezza (simulatore) inserita nella camera di cartuccia per essere sicuri di non aver caricato una cartuccia (Fig. 21).

**ATTENZIONE:** NON LASCIATE MAI INCUSTODITA LA VOSTRA ARMA CARICA!

## 13 Riparazione

In caso di prodotti difettosi o danneggiati rivolgersi al proprio rivenditore o al reparto assistenza della WALTHER.

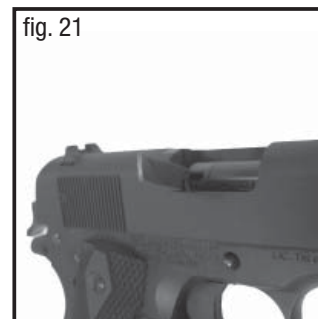
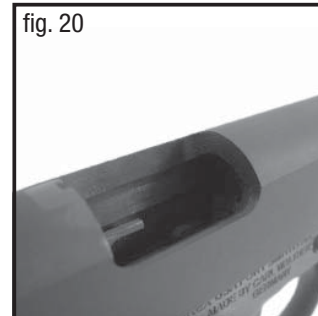


Carl WALTHER GmbH

### Service

Postfach 4325                      D - 89033 Ulm  
Im Lehrer Feld 1                  D - 89081 Ulm  
Tel. +49 (0)731 / 15 39 0        Fax +49 (0)731 / 15 39 109

**ATTENZIONE:** FAR CONTROLLARE E RIPARARE L'ARMA ESCLUSIVAMENTE DA UN ARMAIOLO AUTORIZZATO E QUALIFICATO!



## 14 Garanzia

Entro i primi due anni dalla data d'acquisto, WALTHER provvederà alla riparazione o la sostituzione gratuite dell'arma, purché il difetto non sia dovuto a negligenza o maneggio non corretto.

La garanzia della WALTHER si riferisce al materiale e alla lavorazione dell'arma. In caso di notifica per iscritto alla WALTHER da parte del proprietario originario dell'arma entro due anni dalla data d'acquisto, il difetto verrà riparato gratuitamente entro un periodo di tempo ragionevole, a contare dalla consegna dell'arma secondo le modalità qui sotto indicate. I reclami in garanzia (per iscritto) e l'arma interessata devono essere consegnati al Servizio Garanzia di WALTHER nella custodia originale o in un contenitore sicuro simile.

Inoltre deve essere inclusa una copia del documento di vendita intestato al proprietario che riporti la data di acquisto.

**⚠ ATTENZIONE:** **IMPORTANTE!** PRIMA DI TRASPORTARE UN'ARMA, ACCERTARSI CHE SIA SCARICA E CON LA SICURA INSERITA.

I reclami in garanzia devono specificare il modello e il numero di serie dell'arma, oltre a una descrizione dei problemi riscontrati. Si raccomanda al proprietario di assicurare la spedizione dell'arma, poiché WALTHER declina ogni responsabilità per perdita o danneggiamento durante il trasporto. Le spese di trasporto e assicurazione per la restituzione dell'arma al proprietario saranno sostenute da WALTHER se il reclamo è coperto dalla garanzia.

LA PRESENTE GARANZIA È ESCLUSIVA E SOSTITUISCE QUALSIASI E OGNI ALTRA GARANZIA, IMPLICITA O ESPLICITA.

WALTHER NON RENDE GARANZIE IMPLICITE OPPURE DI COMMERCIALIZZABILITÀ O IDONEITÀ PER UNO SCOPO SPECIFICO E DECLINA OGNI RESPONSABILITÀ PER LA VIOLAZIONE DI QUALSIASI GARANZIA IMPLICITA O CONCESSA A NORMA DI LEGGE.

IN NESSUN CASO WALTHER SARÀ RESPONSABILE PER DANNI INCIDENTALI O CONSEGUENTI, PER DANNI CHE COMPORTANO PERDITA ECONOMICA, FERITA, DECESSO O DANNO DI PROPRIETÀ, CHE SIANO IL RISULTATO DI UNA VIOLAZIONE DELLA PRESENTE GARANZIA, DI NEGLIGENZA O ALTRO. Alcuni Stati non consentono l'esclusione o la limitazione di danni incidentali o indiretti, per cui la limitazione o l'esclusione sopra specificata può non applicarsi interamente o parzialmente al vostro caso.

WALTHER non sarà responsabile per:

- .. difetti o malfunzionamenti risultanti da manipolazione incauta, regolazioni o modifiche non autorizzate eseguite o tentate da persone diverse da un armaiolo qualificato seguendo procedure autorizzate WALTHER, oppure smontaggio in misura superiore alle istruzioni contenute nel presente manuale.
- .. uso di munizioni difettose o non adatte, corrosione, negligenza, uso non corretto, usura ordinaria, oppure uso non ragionevole.
- .. uso criminale, negligenza, rivendita, uso sotto l'influenza di farmaci o alcool.

WALTHER si riserva il diritto di determinare ciò che costituisce usura ordinaria. La presente garanzia vi concede diritti legali specifici. Potete altresì beneficiare di altri diritti che variano da stato a stato. Nota: È esclusa ogni responsabilità in caso di mancata osservanza delle istruzioni riportate nel presente manuale.

CONTATTO & SPEDIZIONE



Carl WALTHER GmbH

**Service**

Postfach 4325 D - 89033 Ulm  
Im Lehrer Feld 1 D - 89081 Ulm  
Tel. +49 (0) 731 / 15 39 0 Fax +49 (0) 731 / 15 39 109

## 15 Specifiche tecniche

Modello	Government	Gold Cup	Rail Gun
Calibro		.22 L.R.	
Meccanismo		blowback	
Azione		single action	
Capacità del caricatore		12 colpi	
Dimensioni (lu/al/la)	220 / 140 / 35 mm	225 / 140 / 35 mm	
Lunghezza della canna		127 mm	
Peso con caricatore vuoto	930 g	940 g	950 g



## 16 Varianti

### COLT GOVERNMENT®

- Castello metallico
- Leva di sicurezza standard
- Sicura del castello standard



### COLT RAIL GUN®

- Castello metallico
- Slitta Picatinny
- Carrello-otturatore con rigature davanti e dietro
- Cane schelettato
- Grilletto schelettato
- Leva di sicurezza prolungata
- Sicura del castello Beavertail prolungata



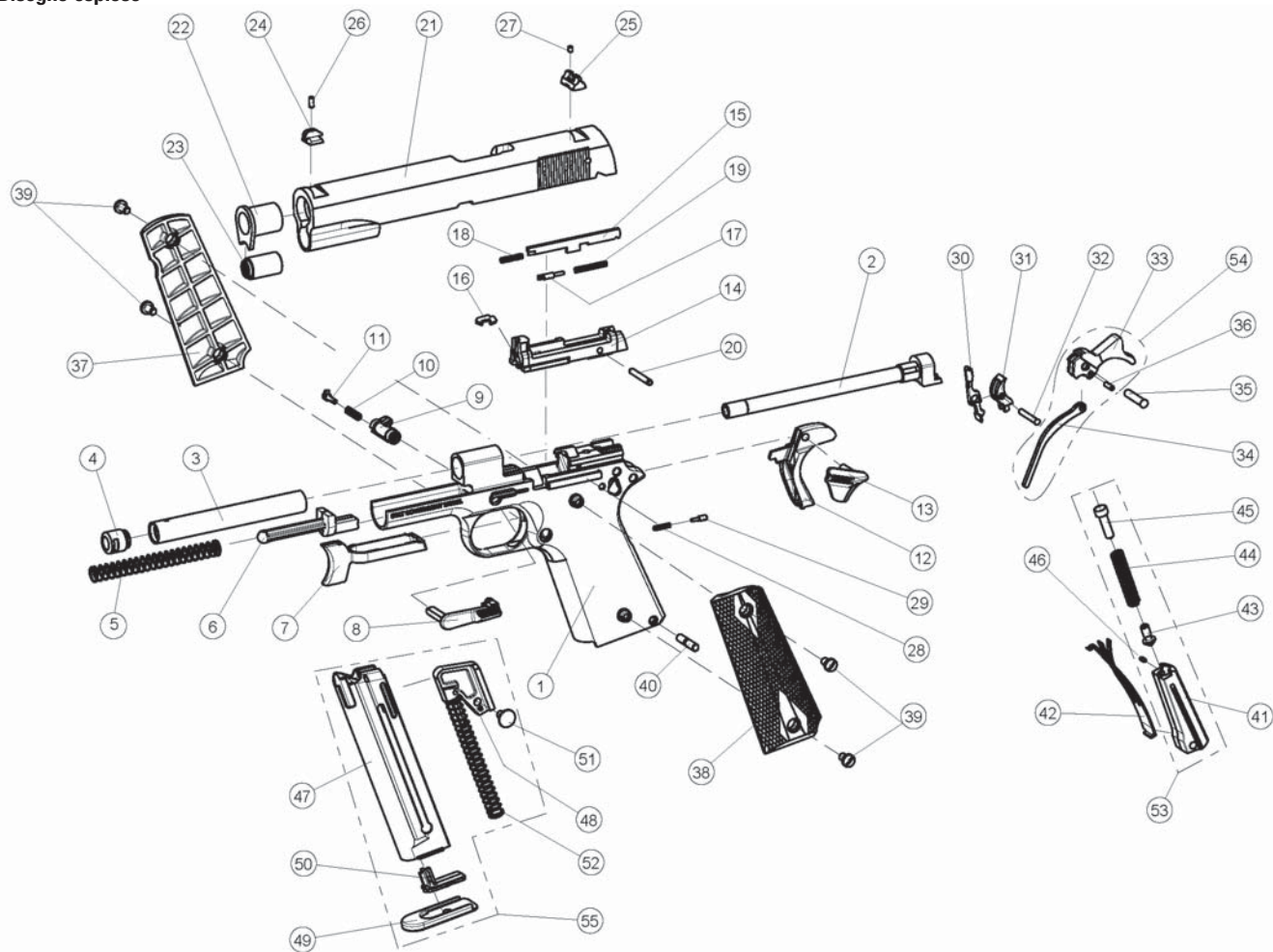
### COLT GOLD CUP®

- Castello metallico
- Cane schelettato
- Grilletto schelettato
- Target Sight regolabile
- Sicura del castello Beavertail prolungata



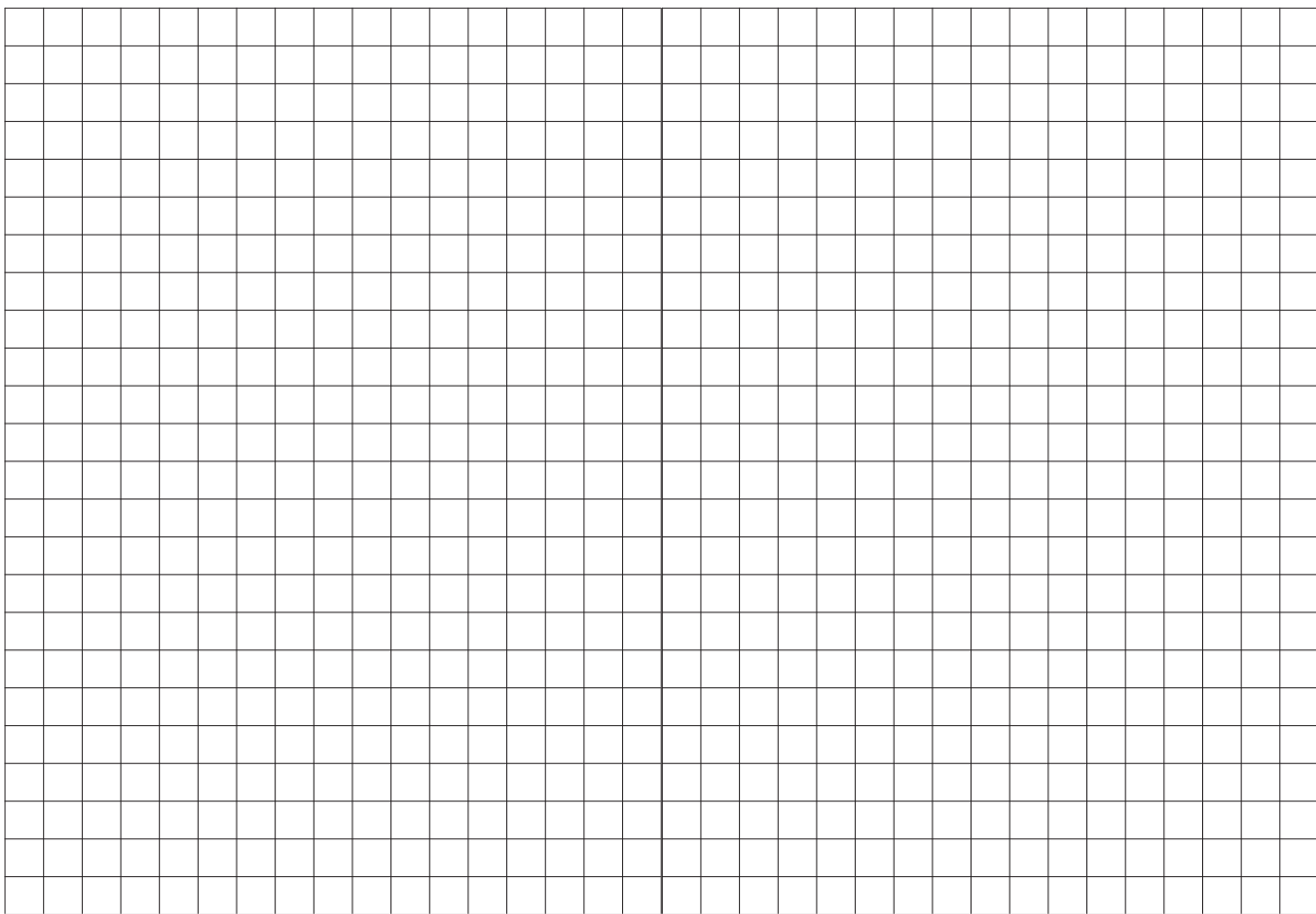
## 17 Disegno esploso / Distinta base

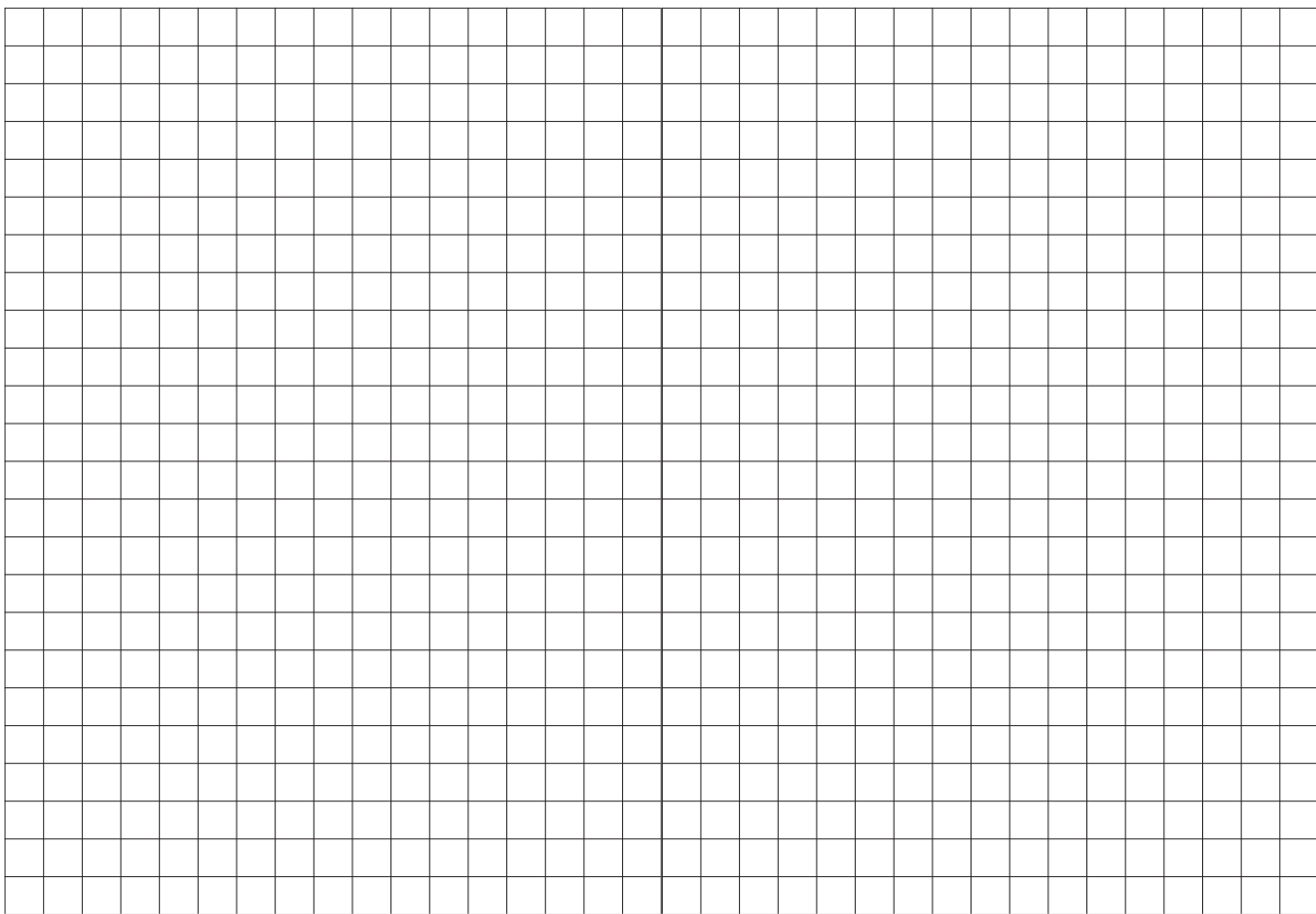
### 17.1 Disegno esploso

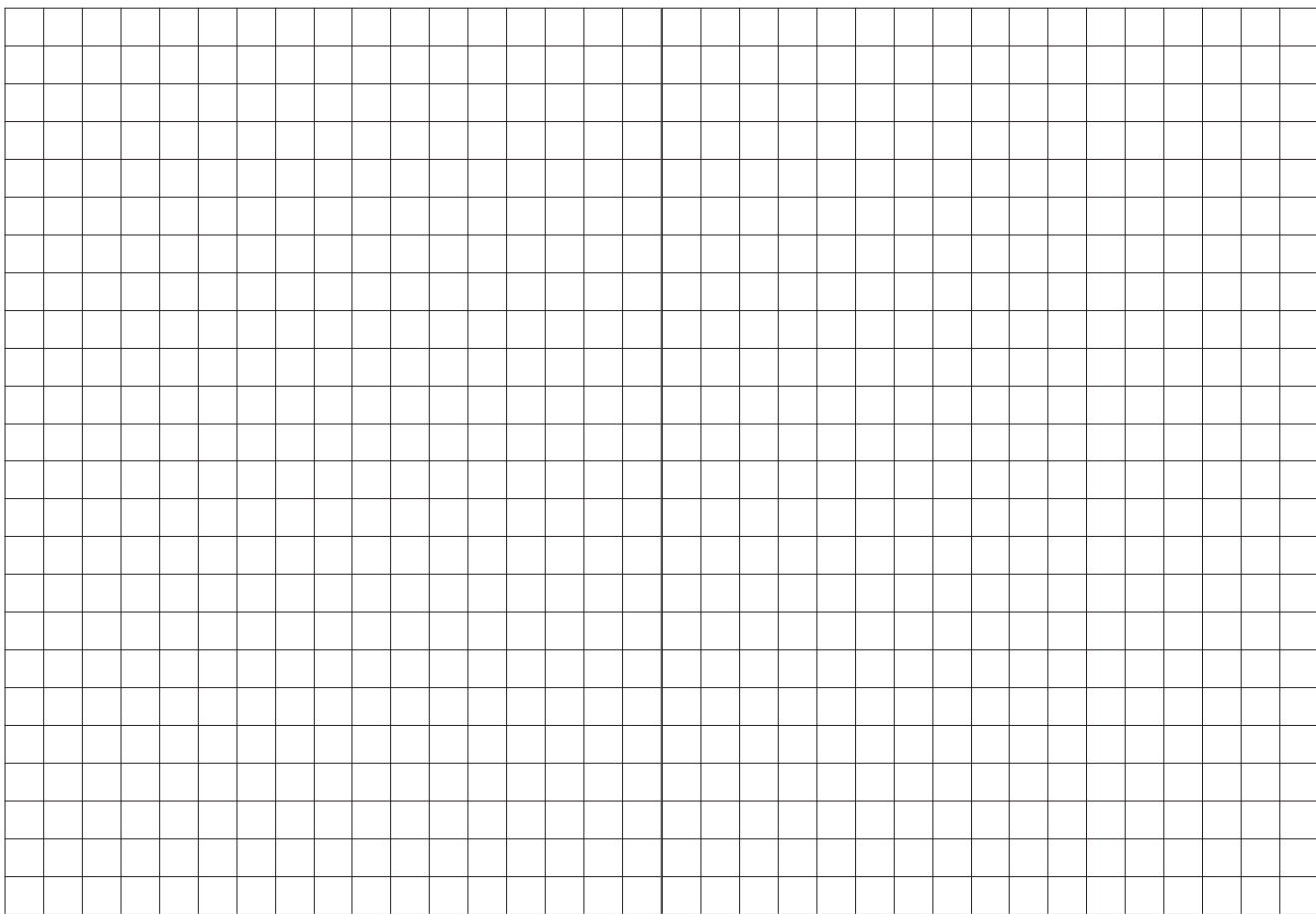


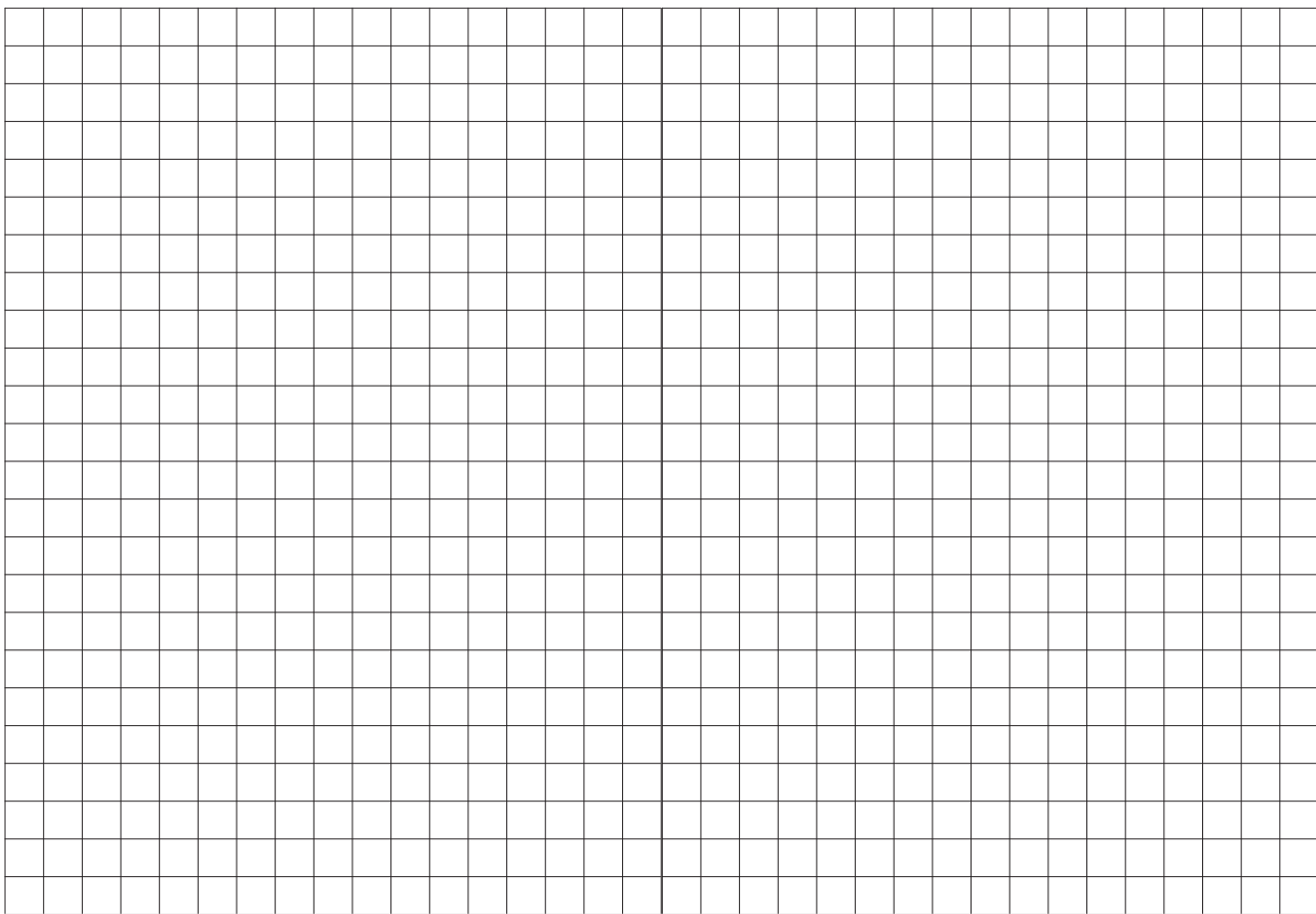
## 17.2 Distina base

<b>1</b>	517.200.01	Castello	<b>19</b>	512.40.20.1	Molla	<b>34</b>	517.200.10.0	Asta del cane
	517.201.01	Castello, Rail Gun	<b>20</b>	512.20.26.3	Perno di fissaggio	<b>35</b>	517.200.28.0	Spina
	517.202.01	Castello, Gold Cup	<b>21</b>	517.400.01.0	Otturatore	<b>36</b>	517.200.11.3	Spina
<b>2</b>	517.500.01	Canna		517.401.01.0	Otturatore, Rail Gun	<b>37</b>	517.200.16.1	Guancetta destra
<b>3</b>	512.51.02.0	Copricanna		517.402.01.0	Otturatore, Gold Cup	<b>38</b>	517.200.15.1	Guancetta sinistra
<b>4</b>	512.50.04	Dado canna	<b>22</b>	517.400.04.0	Guida della canna	<b>39</b>	517.200.30.0	Vite fissaggio guancetta
<b>5</b>	517.400.07.1	Molla di recupero	<b>23</b>	517.400.05.0	Alloggiamento molla di recupero	<b>40</b>	517.200.29.0	Spina
<b>6</b>	517.200.27.0	Gruppo molla di recupero	<b>24</b>	517.700.01.0	Mirino	<b>41</b>	517.200.02.0	Alloggiamento molla percussore
<b>7</b>	517.200.07.0	Grilletto		517.701.01	Mirino, Rail Gun, assemblato	<b>42</b>	517.200.17.0	Molla, nottolino
	517.201.07.0	Grilletto, Rail Gun		517.702.01	Mirino, Gold Cup, assemblato	<b>43</b>	517.200.03.1	Perno di ritegno
<b>8</b>	517.200.23	Arresto otturatore	<b>25</b>	517.700.02.0	Tacca di mira	<b>44</b>	318.203.19.1	Molla, percussore
<b>9</b>	517.200.24.0	Ritegno caricatore		517.701.02	Tacca di mira, Rail Gun, assemblato	<b>45</b>	517.200.04.1	Perno, molla percussore
<b>10</b>	517.200.26.1	Molla		517.702.02	Tacca di mira, Gold Cup, assemblato	<b>46</b>	517.200.06.3	Perno di fissaggio
<b>11</b>	517.200.25.0	Perno d'arresto per ritegno caricatore	<b>26</b>	517.701.04.1	Grano d'arresto	<b>47</b>	517.600.01.0	Alloggiamento caricatore
<b>12</b>	517.200.14.0	Sicura del castello	<b>27</b>	507.700.05.1	Grano d'arresto	<b>48</b>	517.600.04.1	Elevatore
	517.201.14.0	Sicura castello, Rail Gun		517.701.05.1	Grano d'arresto, Rail Gun	<b>49</b>	517.600.02.1	Fondo caricatore
<b>13</b>	517.200.21.0	Leva di sicurezza		517.702.03.1	Grano d'arresto, Gold Cup	<b>50</b>	517.600.03.1	Ritegno fondo caricatore
	517.201.21.0	Leva di sicurezza, Rail Gun	<b>28</b>	517.200.19.1	Molla	<b>51</b>	517.600.05.0	Bottone del caricatore
<b>14</b>	517.400.02.0	Culatta	<b>29</b>	517.200.18.0	Perno d'arresto per leva della sicura	<b>52</b>	570.60.04.1	Molla del caricatore
<b>15</b>	517.400.08.0	Perno d'innescio	<b>30</b>	517.200.13.0	Interruttore	<b>53</b>	517.200.02	Alloggiam. molla percussore, assemblato
<b>16</b>	517.400.03.0	Estrattore	<b>31</b>	517.200.12.0	Nottolino	<b>54</b>	517.200.09	Cane, assemblato
<b>17</b>	506.40.05.1	Perno dell'estrattore	<b>32</b>	517.200.31.0	Spina		517.201.09	Cane, assemblato, Rail Gun
<b>18</b>	517.400.10.1	Molla	<b>33</b>	517.200.09.0	Cane	<b>55</b>	517.600	Caricatore a 12 colpi
				517.201.09.0	Cane, Rail Gun			









**Colt 1911 .22 I.r. Pistol**  
**Made by Carl Walther Germany**  
**Licensed Trademark of New Colt Holding Corp.**



COLT

All technical changes and modifications reserved.  
Technische Änderungen vorbehalten.  
Sous réserve de modifications techniques.  
Queda reservado el derecho a realizar cambios  
Con riserva di modifiché tecniche.  
8.517.90.01  
Oktober 2013 - Rev.D



**Carl WALTHER GmbH**

[www.carl-walther.com](http://www.carl-walther.com)

**Sales**

Postfach 2740  
Donnerfeld 2  
Phone +49 (0)2932 / 63 81 00

D - 59717 Arnsberg  
D - 59757 Arnsberg  
Fax +49 (0)2932 / 63 81 49

**Service**

Postfach 4325  
Im Lehrer Feld 1  
Phone +49 (0)731 / 15 39 0

D - 89033 Ulm  
D - 89081 Ulm  
Fax +49 (0)731 / 15 39 109

CONTACT